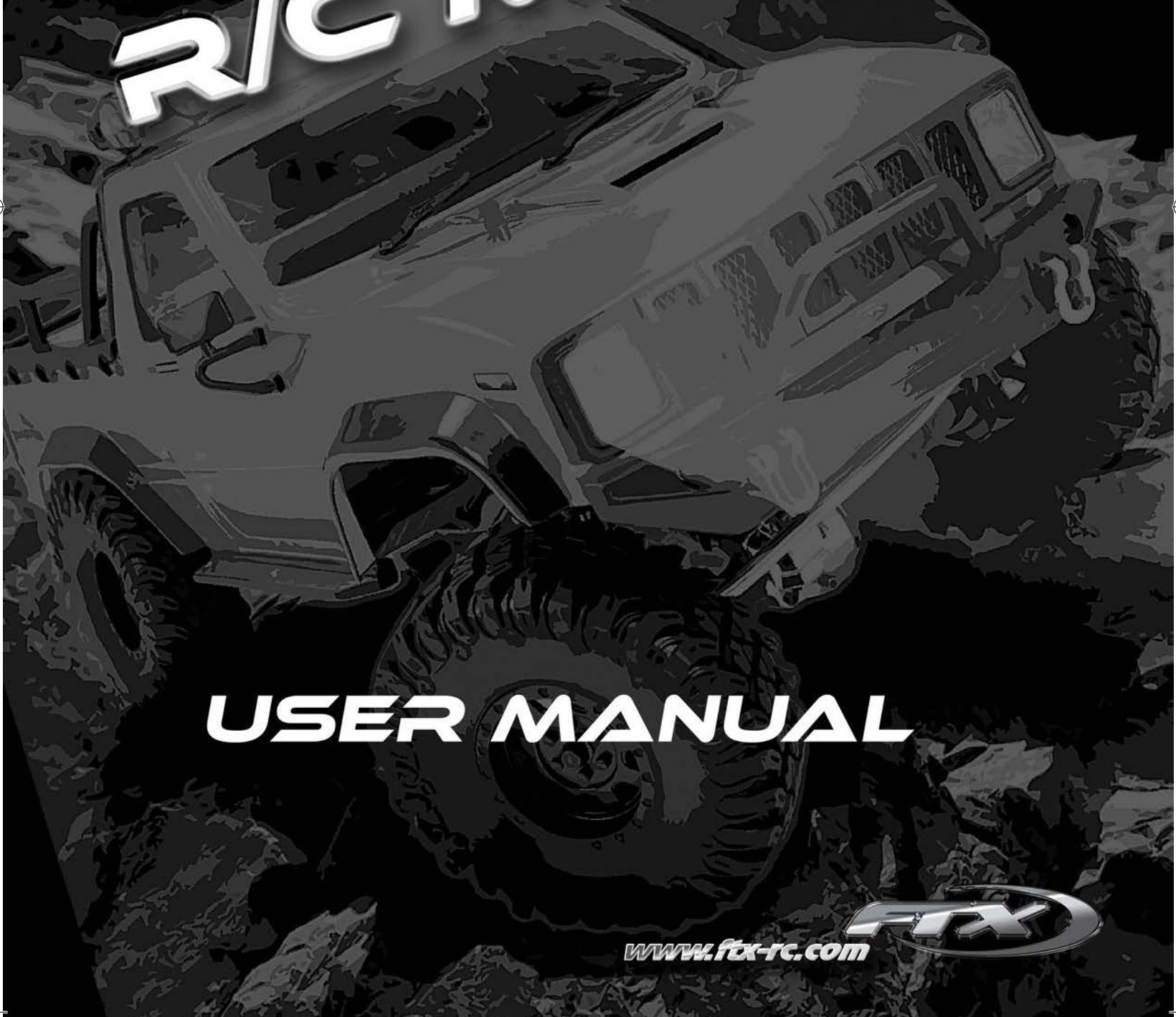




# RIC MODEL



# USER MANUAL

[www.ftx-rc.com](http://www.ftx-rc.com)





## ***Congratulations on your purchase of the FTX R/C Vehicle.***

**This scale model has been factory assembled and all electrics installed and set up to make it the easiest possible introduction to the sport of driving RC cars.**

**WARNING:** Read the ENTIRE instruction manual to become familiar with the features of the product before operating. Failure to operate the product correctly can result in damage to the product, personal property and cause serious injury. This is NOT a toy and must be operated with caution and common sense. Failure to operate this product in a safe and responsible manner could result in damage, injury or damage to other property. This product is not intended for use by children without direct adult supervision. It is essential to read and follow all the instructions and warnings in the manual, prior to assembly, set-up or use, in order to operate correctly and avoid damage or serious injury.

### **Safety Precautions and Warnings**

- You are responsible for operating this model such that it does not endanger yourself and others, or result in damage to the product or the property of others.
- This model is controlled by a radio which is possibly subject to interference which can cause momentary loss of control so it is advisable to always keep a safe distance to avoid collisions or injury.
- Age Recommendation: 14 years or over. This is not a toy. This product is not intended for use by children without direct adult supervision.

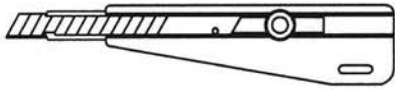
### **Carefully follow these directions and warnings, plus those of any additional equipment associated with the use of this model, chargers, ESC and motors, radio etc.**

- Never operate your model with low transmitter batteries.
- Always operate your model in an open area away from cars, traffic or people.
- Never operate the model in the street or in populated areas.
- Always keep the vehicle in direct line of sight, you cannot control what you cannot see!
- Keep all chemicals, small parts and anything electrical out of the reach of children.
- Although splash-proof the car and electronics are not designed to be subjected to extended moisture exposure or submersion. To do so will result in permanent damage.
- Avoid injury from high speed rotating parts, gears and axles etc.
- Novices should seek advice from more experienced people to operate the model correctly and meet its performance potential.
- Exercise caution when using tools and sharp instruments.
- Do not put fingers or any objects inside rotating and moving parts.
- Take care when carrying out repairs or maintenance as some parts may be sharp.
- Do NOT touch equipment such as the motor, electronic speed control and battery, immediately after using your model because they can generate high temperatures.
- Always turn on your transmitter before you turn on the receiver in the car. Always turn off the receiver before turning your transmitter off.
- Keep the wheels of the model off the ground, and keep your hands away from the wheels when checking the operation of the radio equipment.
- Prolong motor life by preventing overheat conditions. Undue motor wear can result from frequent turns, rapid change of direction forwards/backwards, continuous stop/starts, pushing/pulling objects, driving in deep sand and tall grass, or driving continuously up hill.

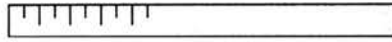


## REQUIRED EQUIPMENT FOR OPERATION

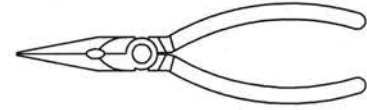
### 1. Tools required for building and maintenance:



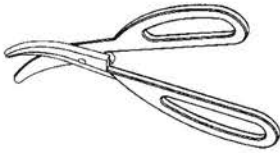
● Hobby knife



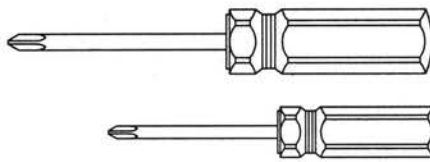
● Precision ruler



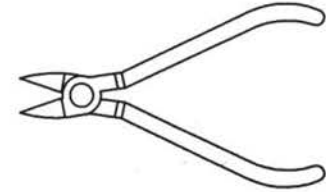
● Needle nose pliers



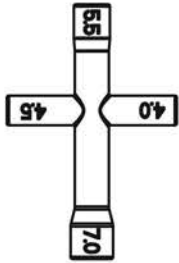
● Lexan scissors



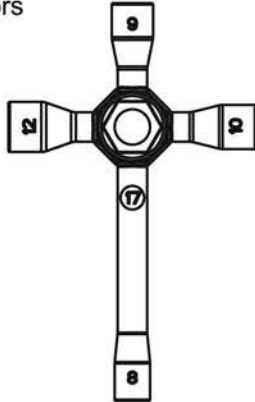
● Flat and Philips screwdriver



● Wire cutters



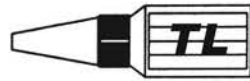
● Cross wrench



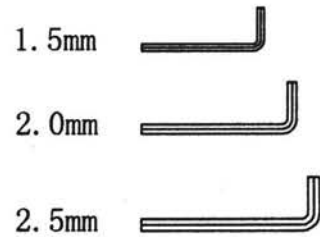
● Cross wrench



● CA glue&rubber cement



● Thread locking compound



● Hex wrench

## WARNING!

Do not use a power screw driver to install screws into nylon or plastic materials. The fast locking may heat up the screws being installed that may break the molded parts or strip the threads during installation.

### 2. Additional items needed for operation:



2 pcs AA Alkaline Batteries

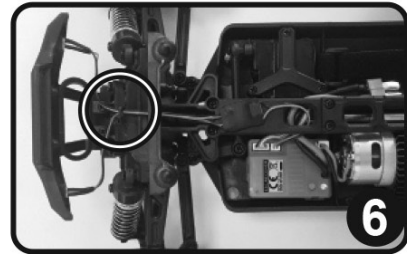
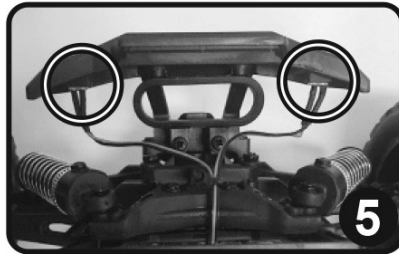
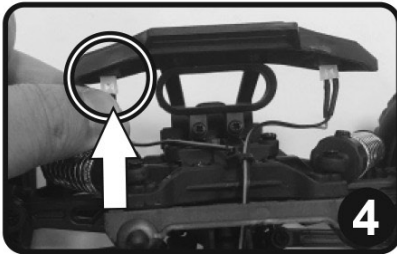
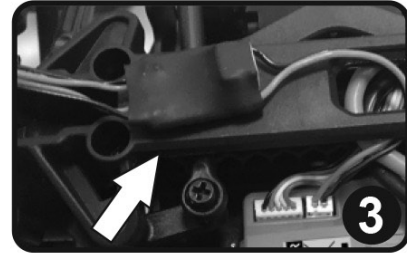
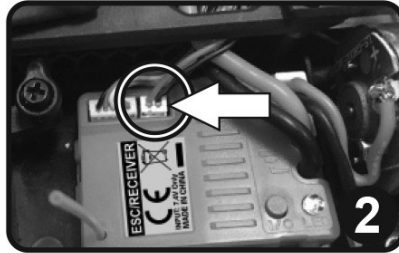
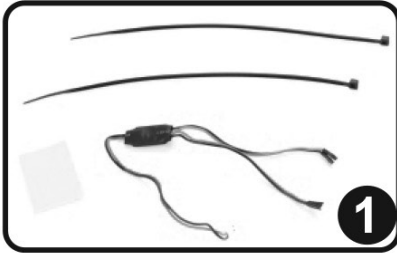
## IMPORTANT!

Check that all screws and nuts are tight before each use.



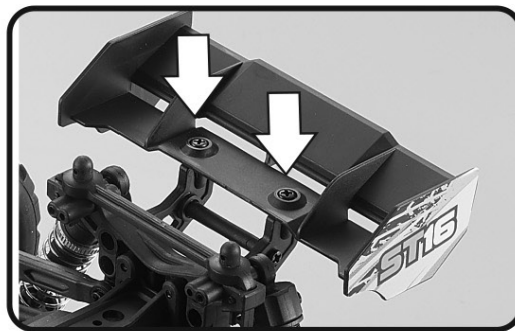
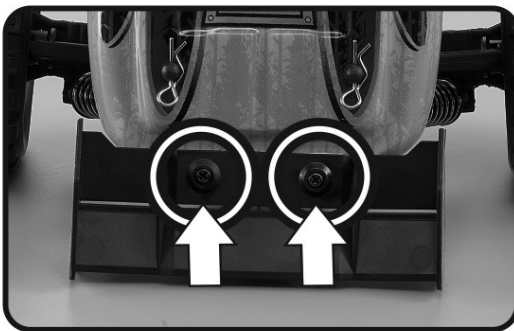
## INSTALLING HEADLIGHTS & REAR WING

### INSTALLING HEADLIGHTS



- 1) The headlight, which is provided as a gift in the box, is not installed on the car.
- 2) Please take out the headlight, the zip ties, and the adhesive tape from the box. (See Photo 1)
- 3) Please plug the headlight plug into the slot on the ESC/Receiver. (See Photo 2).  
Note: Do not force while plugging or unplugging.
- 4) Please apply the adhesive tape to the headlight board and stick it on the upper deck as shown in Photo 3.
- 5) Gently insert the headlights into the slots on the back of the front bumper. Make sure they are in place. (See Photo 4 and Photo 5)
- 6) Please keep the wires in order and bind them up with the aid of the zip ties. (See Photo 6)

### INSTALLING REAR WING (TRUGGY ONLY)



To reduce the package space in accordance with the freight regulations, the factory does NOT install the off-road wing when this stadium truck leaves the factory. The wing is separately supplied as a part in the box. Please install the wing onto the truck with the two screws as shown in the photos above.



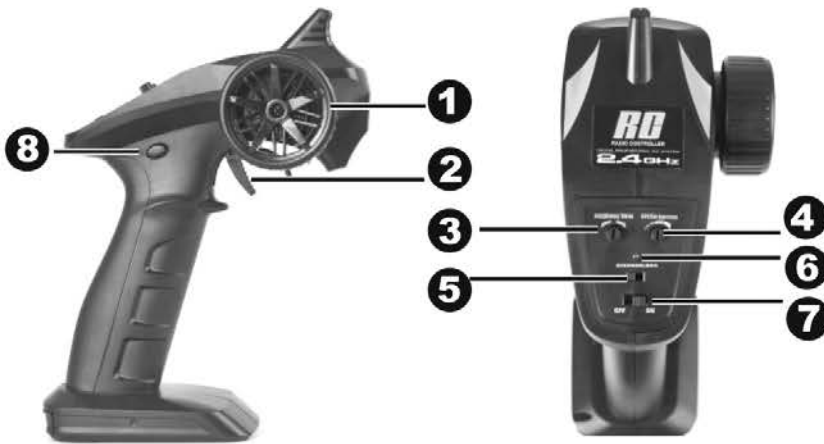
# GETTING TO KNOW YOUR RC VEHICLE

## Practice Required:

Please run the vehicle in a slow speed when you are not a skilled operator. Once you become comfortable driving the vehicle, perform driving practice on the tracks. Keep practicing until you feel comfortable with the steering, throttle and brake at low speeds. Once you are feeling comfortable, try operating the vehicle on another track. When you have mastered the basics, you will be able to drive the vehicle at higher speeds in a more controlled fashion.

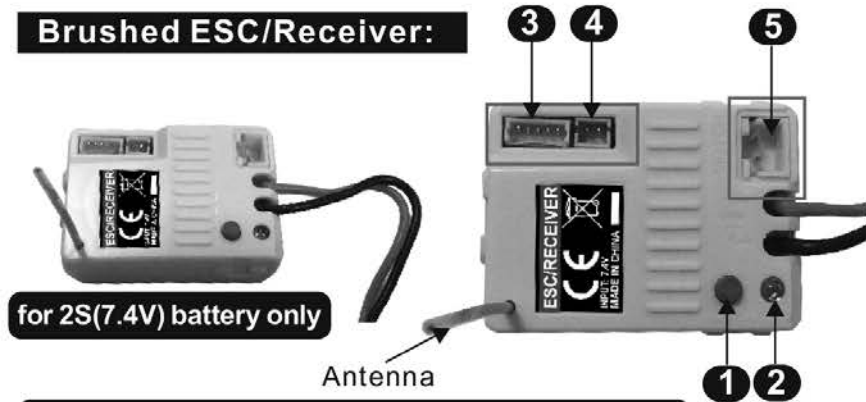


## 2.4GHz Transmitter Introduction:



- 1) Steering Wheel
- 2) Trigger
- 3) Steering Trim
- 4) Speed Switch
- 5) Steering Reverse Switch
- 6) Power Indicator
- 7) Power ON/OFF
- 8) AUX. Button  
(This button is disabled for this car)

### Brushed ESC/Receiver:



- 1) Power Switch: Press and hold for 2-3 seconds to switch on or off.
- 2) Power Indicator
- 3) Servo Slot (5-pin) (for 5-wire Servo)
- 4) Aux. Slot (for LED light if it contains LED)
- 5) Motor Plug Slot

for 2S(7.4V) battery only

Antenna

Always erect the antenna for best performance.



Slide and remove the battery cover from the transmitter, install two AA size batteries (1.5V, each), and replace the battery cover. Do not revert the polities when installation. Always use batteries of same brand, and remove batteries when not in use. Make sure battery power is sufficient before use.

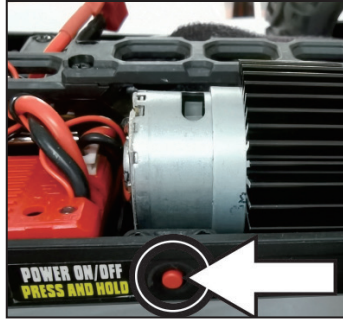
**Please replace with the new batteries for transmitter if the transmitter LED blinks slowly.**



## RUNNING YOUR CAR

### 1. TURNING ON THE RECEIVER OF YOUR CAR

The power switch is located on the esc/receiver unit. Press and hold the power switch for 2-3 seconds until the LED on the ESC (or headlight LED if fitted) blinks. It will be a few seconds before the LEDs stop blinking and become solid.



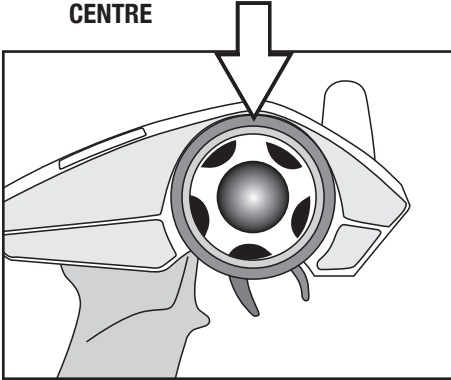
### 2. TURN ON THE RADIO CONTROLLER

Switch on the power switch on the radio controller. Your radio is bound with your car automatically.



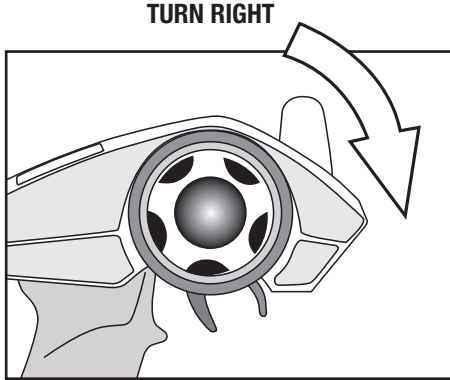
### 3. CHECK STEERING PERFORMANCE

CENTRE



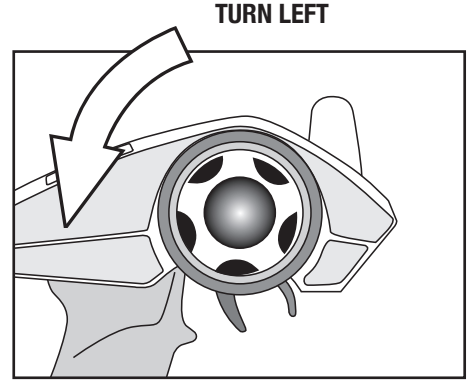
1. To keep the car running straight, keep the steering wheel centered.

TURN RIGHT

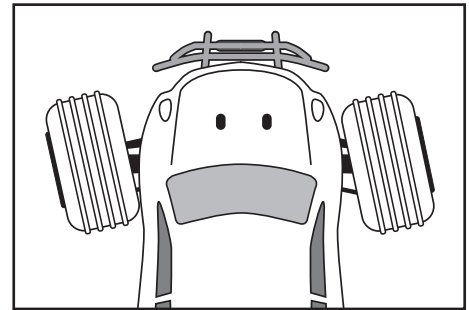
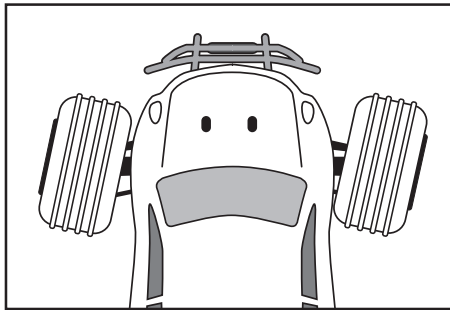
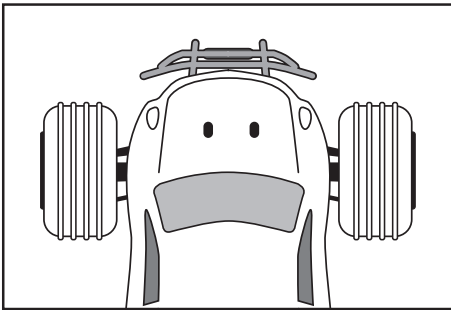


2. Turn the steering wheel to the right to allow the car to right.

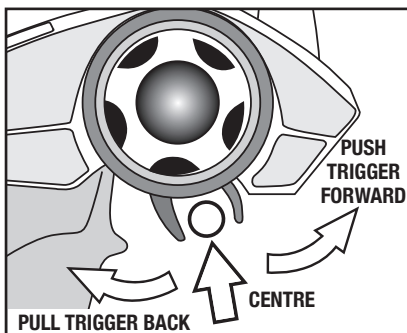
TURN LEFT



3. Turn the steering wheel to the left to allow the car to turn to the left.



### 4. CHECK TRIGGER RESPONSE



PLEASE NOTE: THE MODEL SWITCHES BETWEEN FORWARD AND REVERSE INSTANTLY FOR SLOW SPEED MANOEUVRABILITY. EXCESSIVE USE OF THIS FEATURE CAN CAUSE TRANSMISSION AND ESC DAMAGE.



A. Pull the trigger back to accelerate, release it to decelerate.  
B. To stop running your car, release the trigger to neutral.  
C. Pushing the trigger forward activates reverse.



## RUNNING YOUR CAR

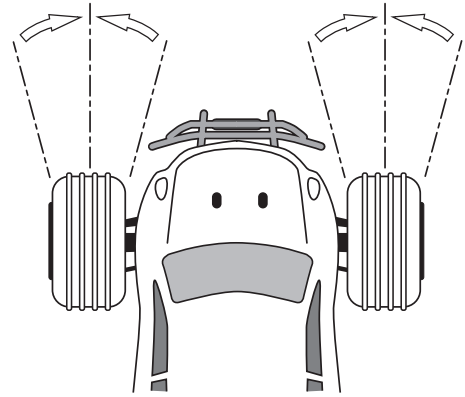
### 5. TUNING THE STEERING TRIM

#### STEERING TRIM KNOB

Gently pull the trigger to allow your car to run slowly. Meantime, tune the steering trim to allow the front wheels to be aligned.



STEERING



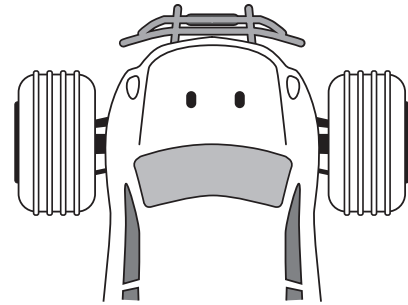
### 6. THROTTLE SPEED SWITCH

#### THROTTLE SPEED SWITCH

The throttle speed switch is used to tune the trigger throttle. Turning the knob all the way will reduce the maximum speed down to 40%. Turning it up will increase to a max of 100%. It is advisable to operate the model at a slower setting until you are comfortable with control.



THROTTLE TRIM



### 7. STEERING REVERSE SWITCH

#### STEERING REVERSE:

If the vehicle turns right when you steer left or left when you steer right, flip the steering reverse switch for the correct direction.



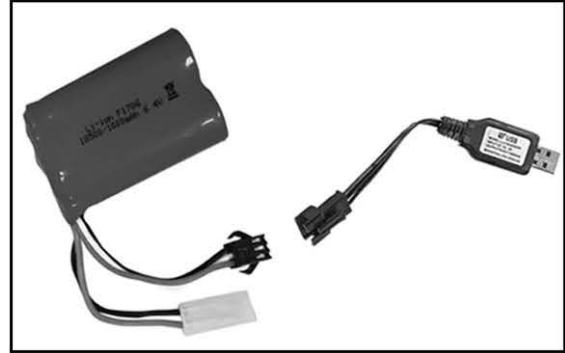


# GETTING TO KNOW YOUR RC VEHICLE

## CHARGING

### 8 CHARGING/INSTALLING THE BATTERY

- Always store your model with the battery pack unplugged and removed.
- Always charge your battery away from the vehicle. The included USB charger will take approximately 2-2.5 hours to charge a discharged battery.
- When charging the Green LED will flash and the Red LED will be solid.
- When the battery is fully charged both Red and Green LED will be solid.
- The battery will become warm to touch when charged, but not hot.
- If the battery is hot, stop charging immediately. Disconnect the battery from the charger as soon as the charger LED turns green.



### 9 NOTES ON BATTERY USE

- Always allow the battery cool after use, before recharging.
- Always inspect the battery before charging.
- Any bare wires, split heat shrink or leakage is a sure sign of abuse.
- Never attempt to charge dead or damaged batteries.
- Do not disassemble the battery or cut the connector wires.
- If the battery connector gets hot enough to melt there is most likely a serious problem with your model, driveline, battery wires or speed controller. Find and correct the problem before installing another charged battery pack.
- NEVER charge the battery unattended incase of overcharging, you need to be able to monitor the battery during charging.
- Charge away from flammable objects and on a non-flammable surface incase the battery becomes too hot.

*(Note: Your model is already bound from the factory)*





## Getting Started

Switch on transmitter. Hold vehicle clear of the ground, connect battery pack and switch on receiver. Bind the Transmitter and receiver if required.

Test the transmitter to check control of the vehicle with wheels off the ground. Start driving slowly and if the vehicle does not go straight, adjust steering trim dial on Transmitter. For the very first run use the throttle gently, to gradually bed in the motor brushes and help the driver become accustomed to the vehicles behaviour and controls.

### PLEASE NOTE:

Although the electronics are waterproof the rest of car can be subjected to damage if running in excessively wet or submerged conditions.

### After Run.

Switch off the receiver power, switch off the transmitter and lower the aerial. Disconnect the battery and remove it from the vehicle, allow it to cool before recharging. If you have a second charged battery all ready to use, still allow the vehicle to cool slightly before continuing.

## Regular maintenance.

Frequently check the whole vehicle for loose or missing fixings. Use thread lock on any replacement screws into metal threads.

Frequently check rotating parts are free from grass, string etc. that might bind their motion and over stress the motor or speed controller. Remove the wheels occasionally and check behind the mounting hex for obstructions or anything that might have been wrapped around the axle and caused extra drag. Shock absorbers will wear prematurely if used in dirty dusty conditions. Replace oil and seals as required to keep a smooth dampening action.

## Warranty

Due to the nature of this product and potential use FTX warrants it to be free of material and workmanship defects when new. FTX will at its sole discretion repair or replace defective components free of charge within 30 days from date of purchase. This warranty does not cover wear and tear, crash or impact damage, modifications, component water damage failure to perform maintenance or damage from improper use. Proof of purchase date will be required to action any warranty claims. In no case shall FTX's liability exceed the original cost of the purchased kit.

## Trouble shooting guide.

### SHORT RUNTIME:

Battery damaged/not charged  
Motor dirty or brushes worn  
Drivetrain binding

### SLUGGISH ACTION:

Motor dirty or brushes worn  
Bind in drive train  
Battery running low on power

### MOTOR/ESC OVERHEAT:

Over-gearred  
Binding transmission.  
Seized axle bearing.  
Motor binding

### MOTOR SPINS BUT VEHICLE REFUSES TO MOVE:

Gears damaged.  
Gears loose on shaft.  
Drive shaft broken or missing.

### POOR RANGE OR FAILS TO OPERATE:

Transmitter batteries low  
Vehicle Battery Low.  
Transmitter switched off  
Transmitter/receiver aerial not extended.  
ESC switched off or battery not connected.  
Loose connectors/wires.

## Instructions for disposal.

### Environmental Protection Notes & WEEE

The crossed-out wheeled bin symbol shown here, which may be found on the product itself, in the operating instructions or on the packaging, is in accordance with the Waste Electrical and Electronic Equipment (WEEE) Directive. Individual markings indicate which materials can be recycled and re-used. You can make an important contribution to the protection of our common environment by re-using the product, recycling the basic materials or recycling redundant equipment in other ways.

When this product comes to the end of its useful life, you must not dispose of it in the ordinary domestic waste. Many electrical items that we throw away can be repaired or recycled. Recycling items helps to save natural resources and also reduces the environmental and health impacts that are linked with sending electrical goods to landfill. The correct method of disposal is to take it to your local collection point for recycling electrical and electronic equipment. You can go to [recycle-more.co.uk](http://recycle-more.co.uk) for details of locations.

Alternatively FTX can offer our customers free take-back of their WEEE on a like-for-like basis when they buy a new Electrical or Electronic product from us. For example, if a customer bought a new radio system from us or a dealer, we would accept their old radio and prevent it going into a landfill site by disposing of it safely. Customers must return their old WEEE item to us within 28 days of purchasing their new item.

Remove batteries from your device and dispose of them at your local collection point for batteries. If you don't know the location of your nearest disposal centre, please enquire at your local council office.



CML Distribution, Saxon House, Saxon Business Park, Hanbury Road,  
Bromsgrove, B60 4AD. WEE/GB4215VX



## **Félicitations pour votre achat du FTX R/C Vehicle.**

***Ce modèle réduit a été assemblé en usine et tous les appareils électriques installés et configurés pour en faire l'introduction la plus simple possible au sport de la conduite de voitures RC.***

**Attention: lisez l'intégralité du manuel pour exploiter au mieux la voiture et éviter des dommages mécaniques ou corporels. Ce modèle n'est pas un jouet, il doit être manipulé avec précaution. Utilisé dans de mauvaises conditions, ce modèle peut causer des dommages.**

**Ce modèle n'est pas fait pour être utilisé par un enfant sans la surveillance directe d'un adulte. Il est essentiel de lire et de suivre les instructions et les recommandations de ce manuel pour entretenir et faire évoluer votre modèle dans de bonnes conditions.**

### **Mesures de sécurité:**

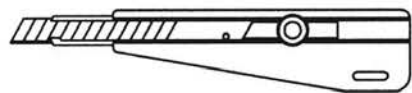
- Vous êtes responsable lors de l'évolution de ce modèle, veillez à ne pas vous mettre en danger, à mettre en danger le modèle ou la propriété d'autrui.
- Ce modèle radiocommandé peut être perturbé par d'autres sources d'onde radio, ce qui peut entraîner la perte momentanée du contrôle de la voiture.
- Age recommandé : 14 ans, ceci n'est pas un jouet, ce produit n'est pas fait pour être utilisé par un enfant sans surveillance.

### **Suivez consciencieusement les instructions suivantes :**

- Ne jamais évoluer avec des batteries d'émission faibles
- Toujours évoluer dans une zone dégagée, loin de la circulation et de la foule
- Ne jamais évoluer dans une rue ou un endroit fréquenté
- Toujours garder le modèle dans son champ de vision
- Gardez hors de portée des enfants tous les composants de petite taille, électriques ou chimiques
- Tenez le modèle hors de portée de l'eau (la rouille peut causer des dommages irréversibles au modèle)
- Faites attention aux pièces en rotations, axes, pignons etc.
- Les débutants doivent prendre conseil auprès de personnes plus expérimentées
- Faites attention lors de l'utilisation des outils
- Attention à ne pas mettre les doigts ou d'autres parties du corps en contact avec les pièces en rotation
- Faites attention lors du transport, de la maintenance ou de la réparation, certaines pièces peuvent être coupantes.
- NE JAMAIS toucher les composants tels que le moteur, le variateur ou les batteries après utilisation, ces pièces peuvent être chaudes
- Lorsque vous changez de fréquence d'émission assurez-vous que les quartz de fréquence sont bien positionnés (RX pour récepteur et TX pour l'émetteur)
- Toujours éteindre en premier la voiture avant l'émetteur
- Vérifiez le bon fonctionnement de la voiture les roues dans le vide (en prenant les précautions nécessaires)
- Prolongez la durée de vie du moteur en le préservant de la surchauffe (la durée de vie du moteur dépend aussi de la fréquence de roulage, des changements rapide de direction avant/arrière, des conditions de roulage difficiles poussière/boue des utilisations abusives tirer/pousser des objets)



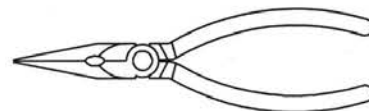
## EQUIPMENTS REQUIS POUR LA MAINTENANCE:



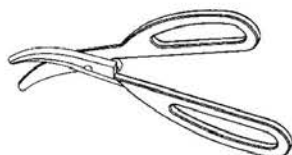
● Cutter



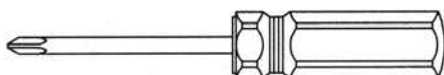
● Règle



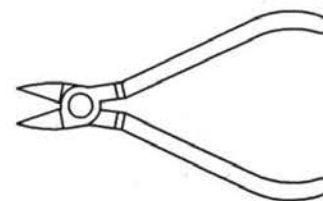
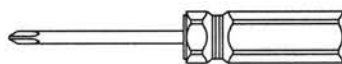
● Pince



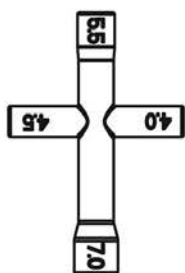
● Ciseaux à lexan



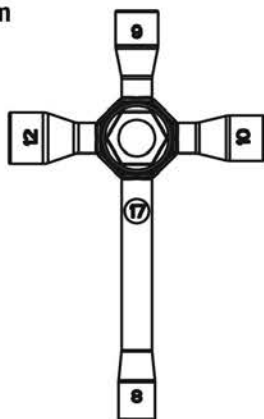
● Tournevis plats et cruciformes



● Pince coupante



● Clé



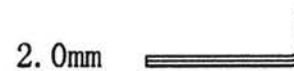
● Colle à pneu



● Frein filet



1. 5mm



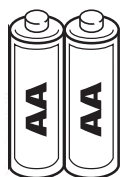
2. 0mm



2. 5mm

● Clé Allen

**ATTENTION:** L'utilisation d'une visseuse électrique pour la maintenance pourrait endommager l'emprunte des vis ou casser des pièces du modèle.



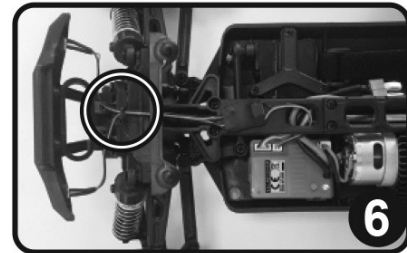
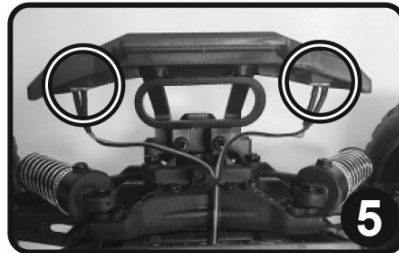
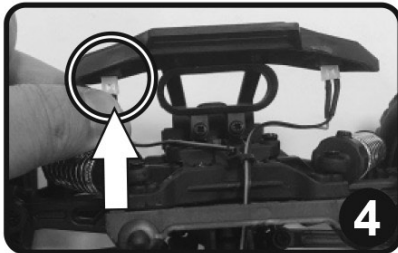
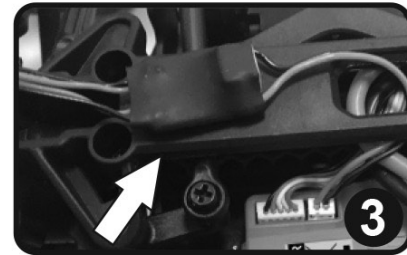
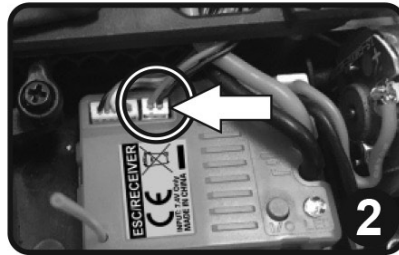
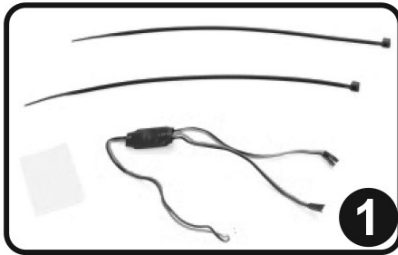
2 piles alcalines AA pour l'émetteur

**IMPORTANT:** Veuillez vérifier le serrage de chaque vis et écrous avant l'utilisation du modèle.



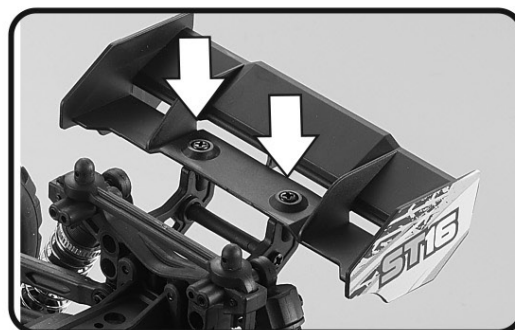
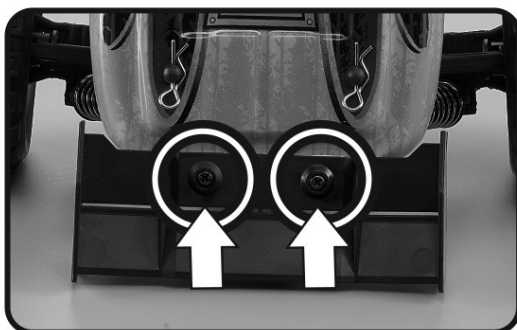
## MONTAGE DES PHARES ET DE L'AILERON ARRIERE

### MONTAGE DES PHARES



1. Les phares, qui vous sont fournis en cadeau dans la boîte, ne sont pas montés sur la voiture.
2. Prenez donc dans la boîte, les phares, les colliers rilsan, et le ruban adhésif (voir photo 1).
3. Branchez la connectique du phare dans la prise dédiée sur le récepteur / ESC (voir photo 2).  
Note : Ne forcez pas pour le brancher ou le débrancher.
4. Appliquez le ruban adhésif sur le module des phares et collez-le sur le pont supérieur comme montré sur la photo 3.
5. Insérez gentiment les phares dans les emplacements prévus à l'arrière du pare-chocs avant. Assurez-vous qu'ils soient correctement montés. (Voir photo 4 et photo 5)
6. Maintenez les câbles en place et fixez les ensemble grâce aux colliers rilsan. (voir photo 6)

### MONTAGE DE L'AILERON ARRIERE (SEULEMENT POUR LES TRUGGY)



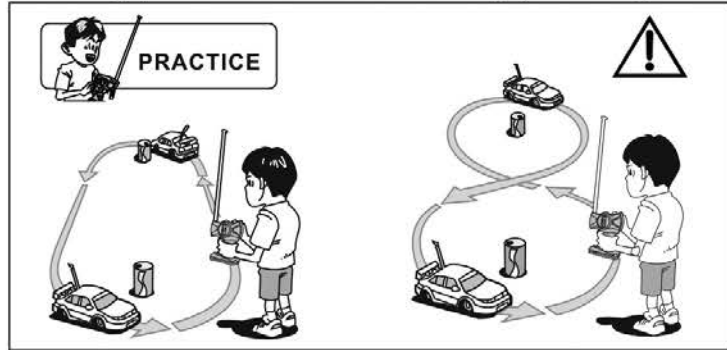
Afin de réduire la taille de la boîte de la voiture et de respecter les règlements de fret, en usine l'aileron arrière n'est pas monté. Bien sûr, il est alors fourni dans la boîte.  
Pour le monter sur le truggy, utilisez les 2 vis comme montré sur les photos ci-dessus.



# PRISE EN MAIN DE VOTRE VOITURE RC

## ENTRENEZ-VOUS :

Si vous êtes débutant n'hésitez pas à faire rouler votre voiture à faible vitesse. Lorsque vous commencez à mieux maîtriser votre voiture, vous pouvez commencer à vous entraîner sur un circuit. Entraînez-vous jusqu'à ce que vous soyez à l'aise avec la direction, les gaz et les freins à faible vitesse. Vous pouvez alors changer de circuit. Une fois que vous maîtrisez les bases, vous pourrez conduire votre voiture à une vitesse plus élevée et de manière plus précises

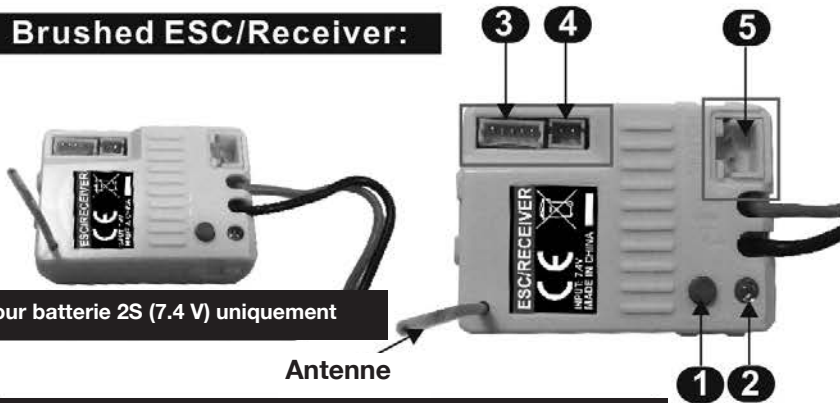


## INTRODUCTION À LA TÉLÉCOMMANDE 2.4GHZ :



1. Volant de direction
2. Gâchette des gaz
3. Trim de la direction
4. Molette de réglage de la vitesse
5. Bouton d'inversion de la direction
6. Indication d'alimentation
7. Allumer / Eteindre
8. Bouton AUX (Ce bouton est désactivé pour cette voiture)

### Brushed ESC/Receiver:



1. Volant de direction
2. Gâchette des gaz
3. Trim de la direction
4. Molette de réglage de la vitesse
5. Bouton d'inversion de la direction
6. Indication d'alimentation
7. Allumer / Eteindre
8. Bouton AUX (Ce bouton est désactivé pour cette voiture)

Pour batterie 2S (7.4 V) uniquement

Antenne

Pointez toujours l'antenne vers le ciel pour de meilleures performances



Faites glissez et enlevez le couvercle des piles de la télécommande, montez les 2 piles AA (1.5V chacune), et remontez le couvercle des piles. Attention à ne pas inverser les polarités lors du montage. Utilisez toujours les piles d'une même marque, et enlevez les piles lorsque vous ne vous en servez pas. Avant d'utiliser la télécommande assurez-vous qu'il y ait assez de piles.

**Veillez remplacer les piles de la télécommande lorsque la LED clignote lentement**



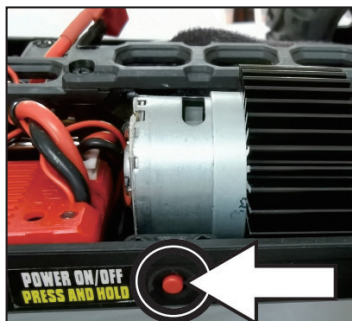
## GESTION DE VOTRE VOITURE

### 1. METTRE SUR ON INTERRUPTEUR

L'ensemble variateur/récepteur se situe sur ON comme montré sur la photo.

Le bouton d'alimentation est situé sur l'ensemble récepteur / ESC. Restez appuyé sur le bouton d'alimentation pendant 2 – 3 secondes jusqu'à ce que la LED de l'ESC clignote.

Cela peut prendre quelques secondes pour que la LED arrête de clignoter et reste allumée.



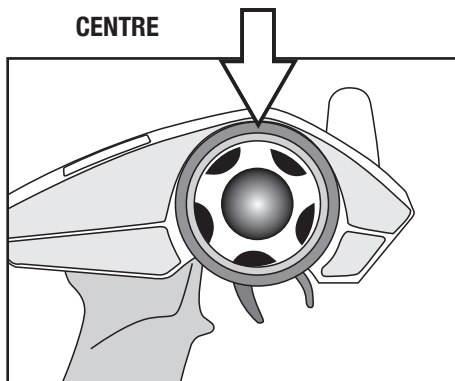
### 2. METTRE LA RADIO SUR ON

Mettez le bouton d'allumage de la radio sur ON. Votre voiture est automatiquement appairée avec votre radio.



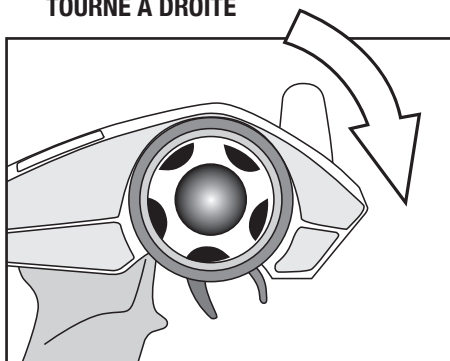
### 3. ASSURE UNE BONNE PERFORMANCE DE PILOTAGE

CENTRE



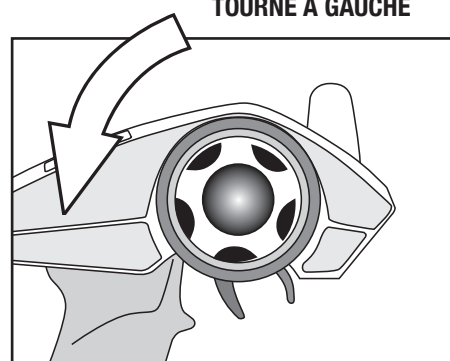
1. Pour que la voiture aille droite ne pas tourner le volant (le laisser au centre).

TOURNE À DROITE

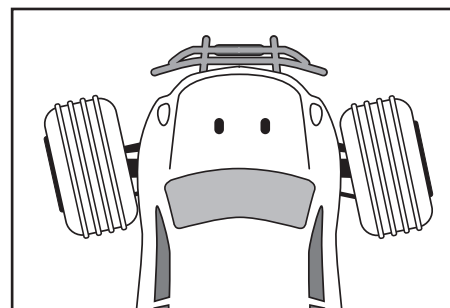
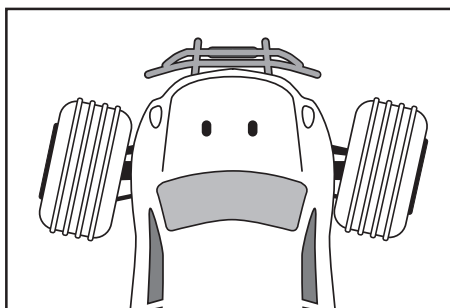
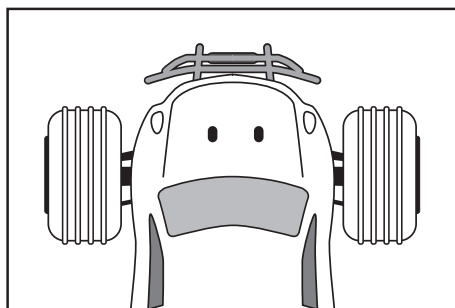


2. Tourner à droite pour permettre à votre voiture d'aller à gauche.

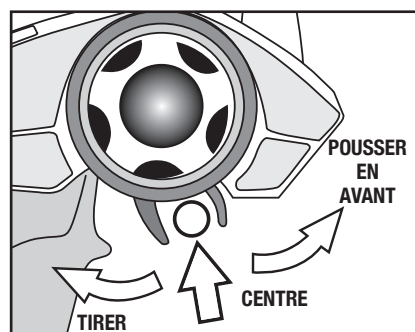
TOURNE À GAUCHE



3. Tourner à gauche pour permettre à votre voiture d'aller à droite.



### 4. VÉRIFIER LA REEPPONSE DE LA GACHETTE



**S'IL VOUS PLAÎT NOTEZ :**  
LE MODÈLE PASSE ENTRE LA MARCHÉ AVANT ET ARRIÈRE INSTANTANÉMENT POUR UNE MANŒVRABILITÉ À FAIBLE VITESSE. UNE UTILISATION EXCESSIVE DE CETTE FONCTIONNALITÉ PEUT ET VA ENDOMMAGER LA TRANSMISSION ET L'ESC.



A. Tirer la gâchette en arrière pour accélérer? La lâcher pour décélérer et la pousser pour freiner.

B. Pour arrêter la voiture, lâchette jusqu'au neutre.

C. Pousser la gâchette vers l'avant active la marche arrière.



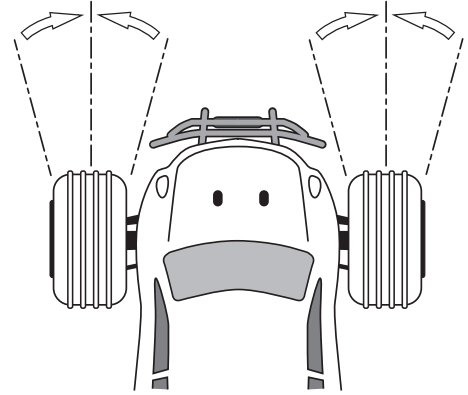
## GESTION DE VOTRE VOITURE

### 5. POUR MODIFIER LE TRIM DE DIRECTION

Placer la voiture sur le stand avec les roues qui ne touchent pas le sol, puis régler le Trim de direction pour aligner les roues avant.



TRIM DE DIRECTION

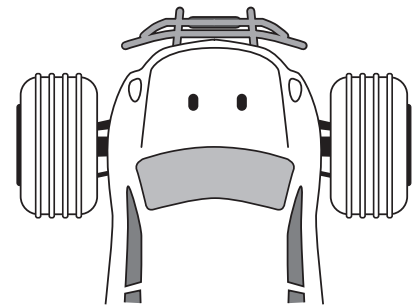


### 6. MOLETTE DE LA VITESSE DE GAZ

La molette de vitesse des gaz est utilisée afin de régler la gâchette des gaz.  
Si vous tournez la molette au minimum, la vitesse maximale sera réduite à 40%.  
Vers le maximum, la vitesse maximale sera à 100%.  
De manière générale, il est recommandé de prendre en main votre voiture avec un réglage plus lent avant d'augmenter la vitesse petit à petit.



TRIM DE GAZ



### 7. REG/AGE DES REVERSES DIRECTION/GAZ

**DIRECTION REVERSE:**  
Cela permet électroniquement d'inverser le sens de rotation du servo.  
Par exemple si vous si vous tournez le volant à droite.



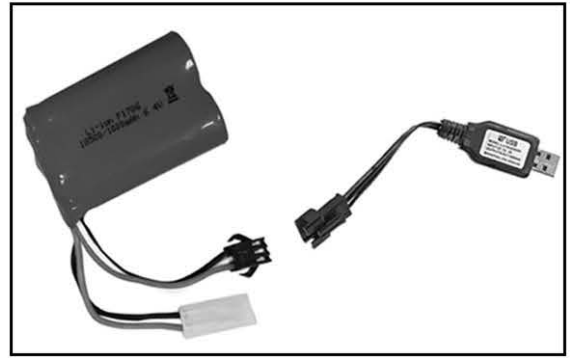


# PRISE EN MAIN DE VOTRE VOITURE RC

## CHARGE

### 8. CHARGEMENT ET MONTAGE DE LA BATTERIE

- Stockez toujours votre voiture avec la batterie débranchée et enlevée
- Chargez toujours votre batterie en dehors de la voiture.  
Le chargeur USB inclus met environ 2h à 2h30 pour charger la batterie lorsqu'elle est déchargée.
- Pendant la charge, la LED verte clignote et la LED rouge reste allumée
- Lorsque la batterie est chargée, les LED verte et rouge restent allumées.
- La batterie peut légèrement chauffer pendant la charge, mais elle ne doit pas être chaude.
- Si la batterie est chaude, arrêtez immédiatement la charge. Débranchez alors la batterie du chargeur dès que la LED du chargeur devient verte.



### 9. NOTES SUR L'UTILISATION DE LA BATTERIE

- Laissez toujours la batterie refroidir après son utilisation avant de la recharger.
- Inspectez toujours la batterie avant de la charger
- Tout fil dénudé, connecteur coupé ou fuite montre une mauvaise utilisation de la batterie
- N'essayez jamais de charger une batterie endommagée ou morte
- Ne démontez pas la batterie et/ou ne coupez pas les câbles
- Si la connectique de la batterie devient tellement chaude qu'elle fond, cela indique qu'il y a un problème important avec votre voiture, la transmission, les câbles de la batterie ou le contrôleur de vitesse.  
Trouvez alors l'origine du problème et corrigez-le avant de monter une autre batterie
- Ne chargez jamais la batterie sans la surveiller en cas de surcharge, vous devez pouvoir monitorer la charge à tout moment
- Chargez la batterie éloignée de tout matériaux inflammables sur une surface non inflammable dans le cas où la batterie deviendrait trop chaude.

*(Remarque: votre modèle est déjà lié de l'usine)*





### En route

Dépliez l'antenne passez sur ON la radio, tenez la voiture les roues en l'air, connectez les batteries puis allumez la voiture. Testez la voiture les roues en l'air pour vous assurer de son bon fonctionnement puis poser la voiture au sol et testez doucement son fonctionnement. Si la voiture ne va pas droit ajustez le trim de direction. Lors de la première utilisation accélérez doucement pour vous familiariser avec l'utilisation de la voiture.

### S'IL VOUS PLAÎT NOTE

**IMPORTANT :** Veuillez noter que ce véhicule n'est pas étanche et ne doit pas être exécuté dans des conditions mouillées ou humides où l'humidité pourrait pénétrer dans l'électronique.

### Arrêt du modèle

Eteignez l'interrupteur du récepteur (voiture), éteignez ensuite l'interrupteur de la radio-commande puis repliez l'antenne. Débranchez ensuite les batteries et retirez celles-ci de la voiture.

Laissez les batteries refroidir avant des les recharger. Si vous possédez une seconde batterie déjà chargée, laissez le véhicule refroidir quelques minutes avant d'installer cette deuxième batterie.

### Entretien.

Vérifiez souvent que les vis ne manquent pas ou ne sont pas desserrées. Utilisez Threadlocker pour tout remplacement de vis en métal. Vérifiez que les pièces rotatives sont libres (herbe, pierre, etc.). Si ces pièces ne sont pas libres, cela peut les endommager ou usent le moteur ou l'entraînement. Retirez les roues et vérifiez que rien n'a glissé derrière l'hexagone de roue et empêche une bonne liberté de transmission. Les amortisseurs s'useront plus rapidement si vous roulez conditions poussiéreuses, remplacez l'huile ainsi que les joints pour maintenir un bon amortissement. Vérifiez souvent que les vis ne manquent pas ou ne sont pas desserrées. Utilisez Threadlocker pour tout remplacement de vis en métal. Vérifiez que les pièces rotatives sont libres (herbe, pierre, etc.). Si ces pièces ne sont pas libres, cela peut les endommager ou usent le moteur ou l'entraînement. Retirez les roues et vérifiez que rien n'a glissé derrière l'hexagone de roue et empêche une bonne liberté de transmission. Les amortisseurs s'useront plus rapidement si vous roulez conditions poussiéreuses, remplacez l'huile ainsi que les joints pour maintenir un bon amortissement.

### Solutions aux problèmes:

Durée de roulage très courte:	Vitesse lente:	Le moteur ou le variateur surchauffe:	Le moteur tourne mais la voiture n'avance pas:	Une portée courte ou aucun contrôle de la voiture:
Les batteries sont endommagées ou mal chargées.	Le moteur est sale ou les charbons usés.	La transmission n'est pas libre	La transmission est abîmée.	Les piles de la télécommande sont vides, les batteries de la voiture sont vides, l'antenne n'est pas dépliée, un fil est débranché, l'électronique est endommagée.
Le moteur est sale ou les charbons usés.		Le moteur est endommagé.	Le slipper est desserré, un cardant est cassé ou manquant.	

### Garantie

De part la nature de ce produit et l'utilisation potentiel, FTX garanti qu'il n'a pas défaut lorsque le modèle est neuf. FTX s'engage à réparer ou remplacer les composants défectueux gratuitement dans un délai de 30 jours à compter de la date d'achat. Cette garantie ne couvre pas l'usure normale, l'accident ou l'impact, les modifications, les dégâts des eaux (appareil n'étant pas étanche) le manque d'entretien ou de dommages causés par une mauvaise utilisation. La preuve de la date d'achat sera nécessaire lors des réclamations de garantie.

### Instructions pour la mise au rebut.

Ce produit ne doit pas être jeté avec les autres déchets. L'utilisateur doit le déposer dans un point de collecte et de recyclage des déchets. Pour plus d'informations sur l'endroit où vous pouvez déposer vos déchets, s'il vous plaît contacter votre municipalité, ou bien où vous avez acheté le produit.



CML DISTRIBUTION, SAXON HOUSE, SAXON BUSINESS PARK,  
HANBURY ROAD, BROMSGROVE, B60 4AD.

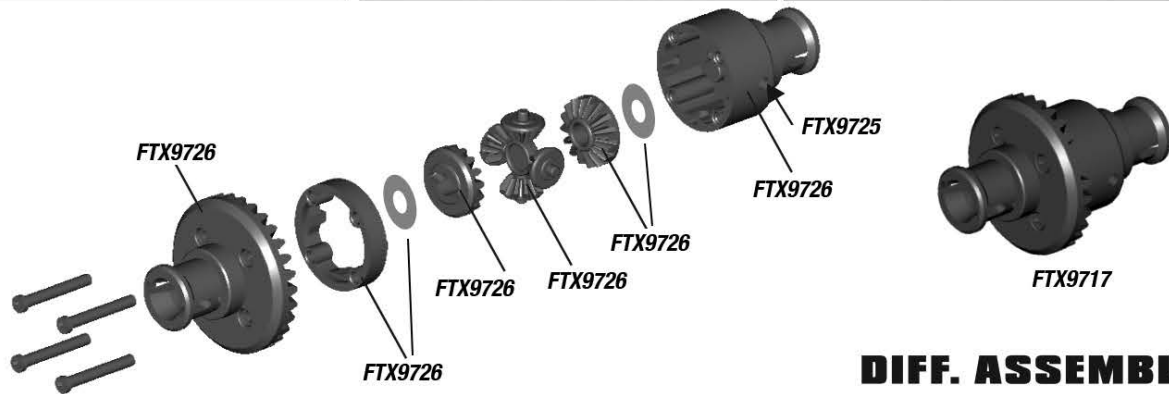
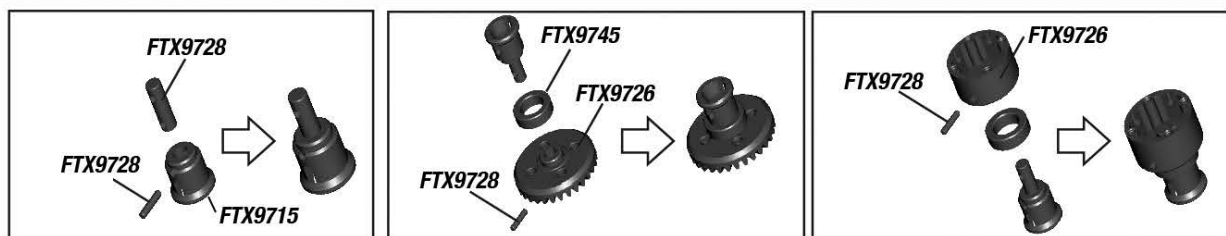
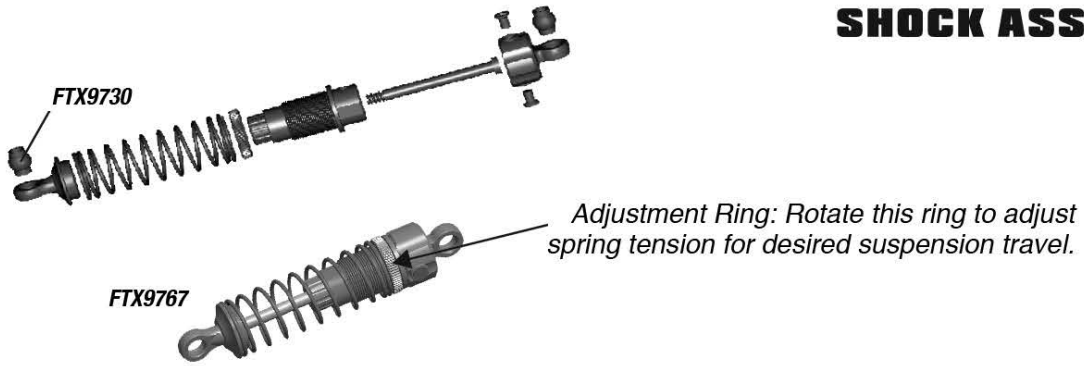
WEE/GB4215VX



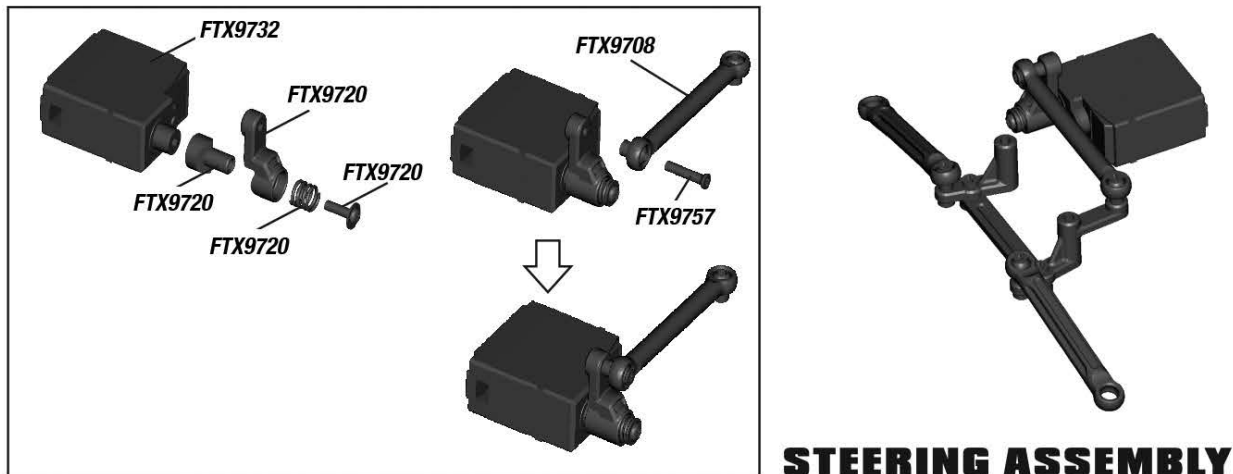
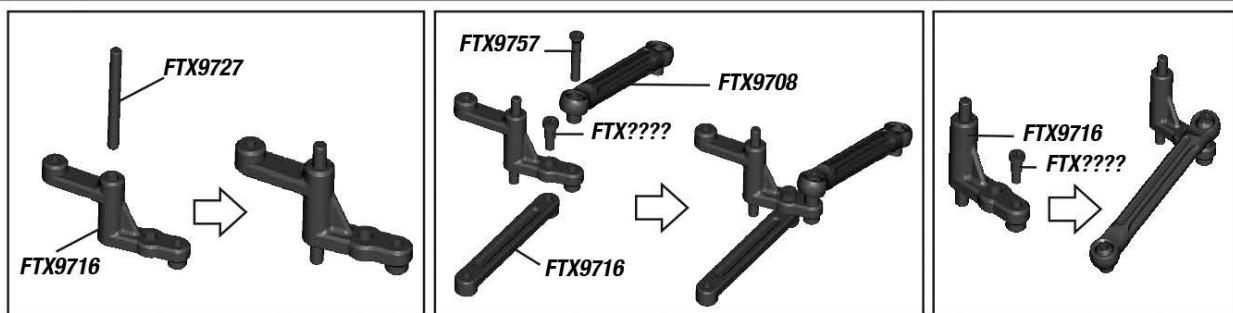


# FTX TRACER EXPLODED PARTS DIAGRAM

## SHOCK ASSEMBLY



## DIFF. ASSEMBLY

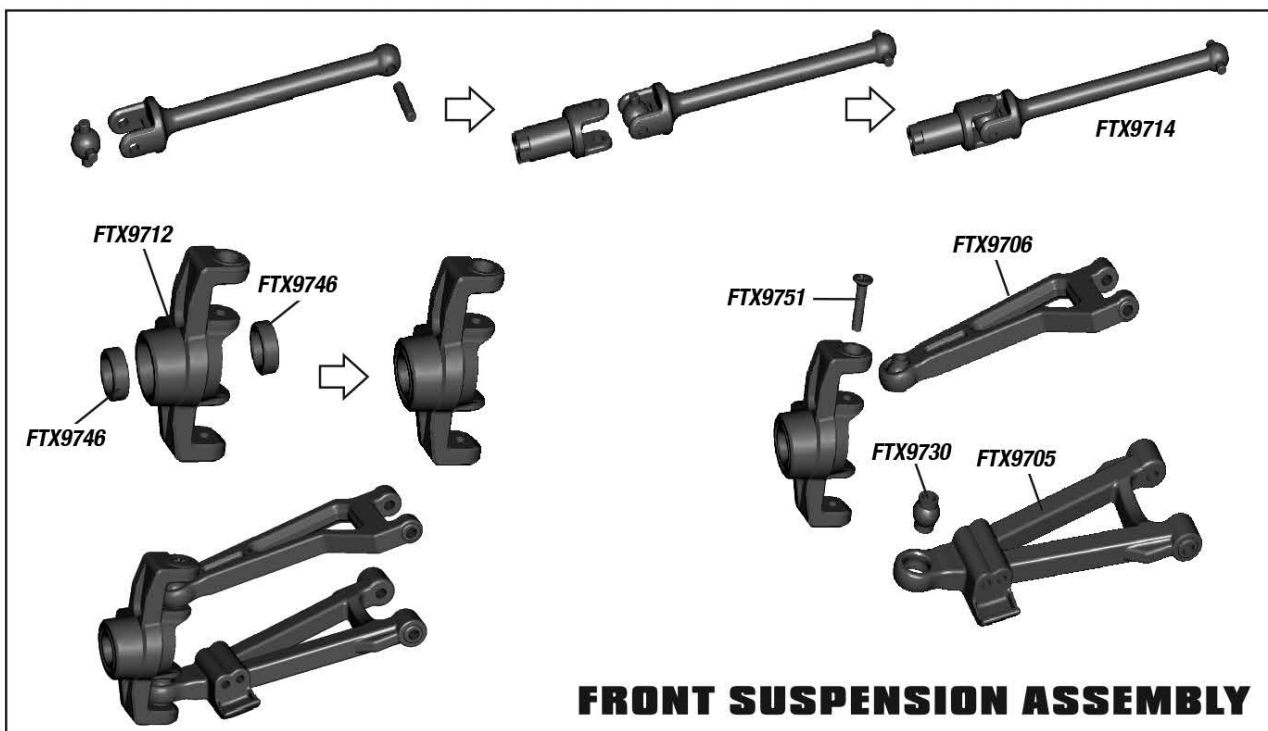
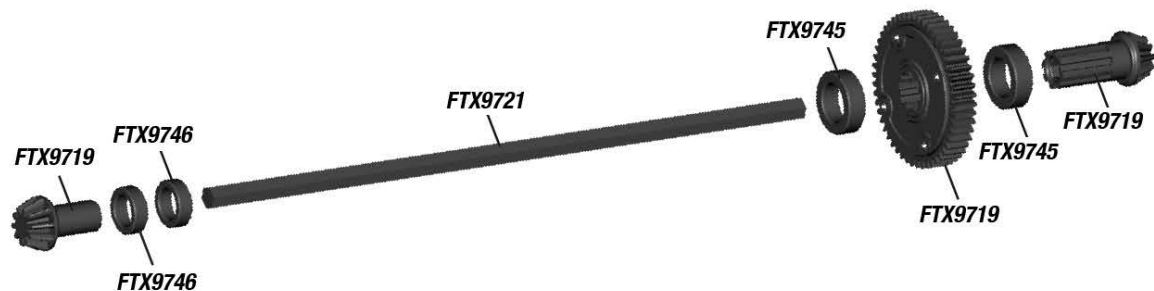


## STEERING ASSEMBLY

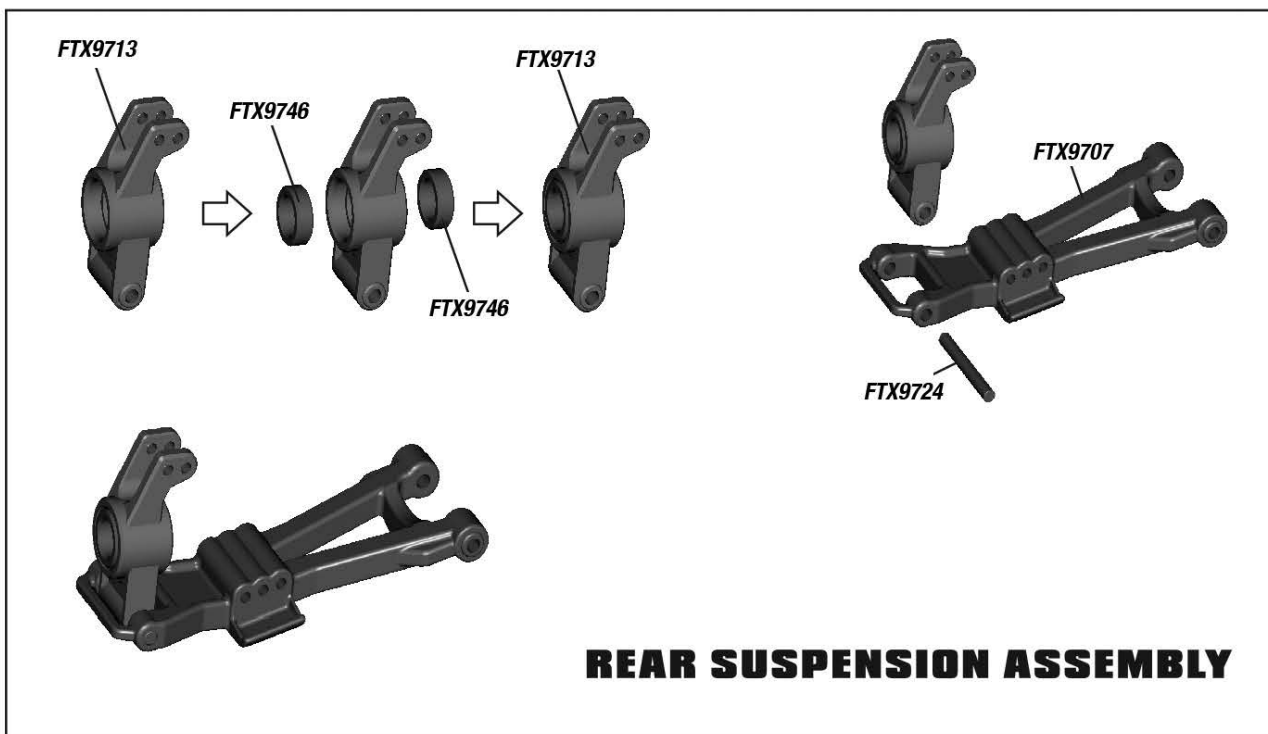


# FTX TRACER EXPLODED PARTS DIAGRAM

## CENTER DRIVE ASSEMBLY



## FRONT SUSPENSION ASSEMBLY



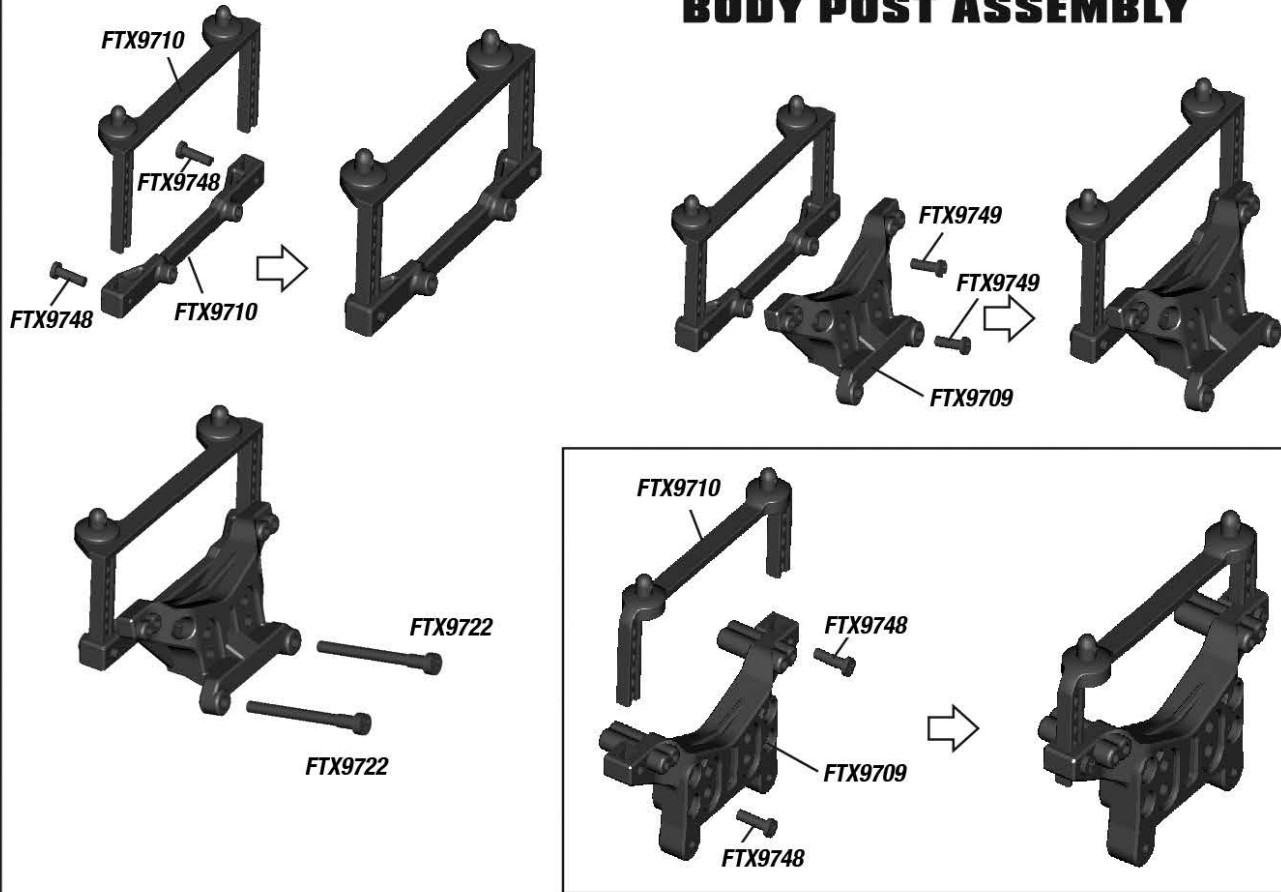
## REAR SUSPENSION ASSEMBLY



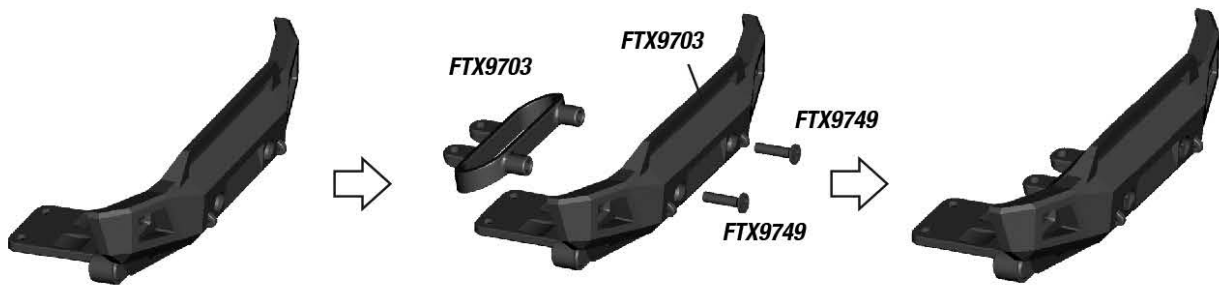


# FTX TRACER EXPLODED PARTS DIAGRAM

## FRONT/REAR SHOCK TOWER BODY POST ASSEMBLY



## FRONT BUMPER ASSEMBLY

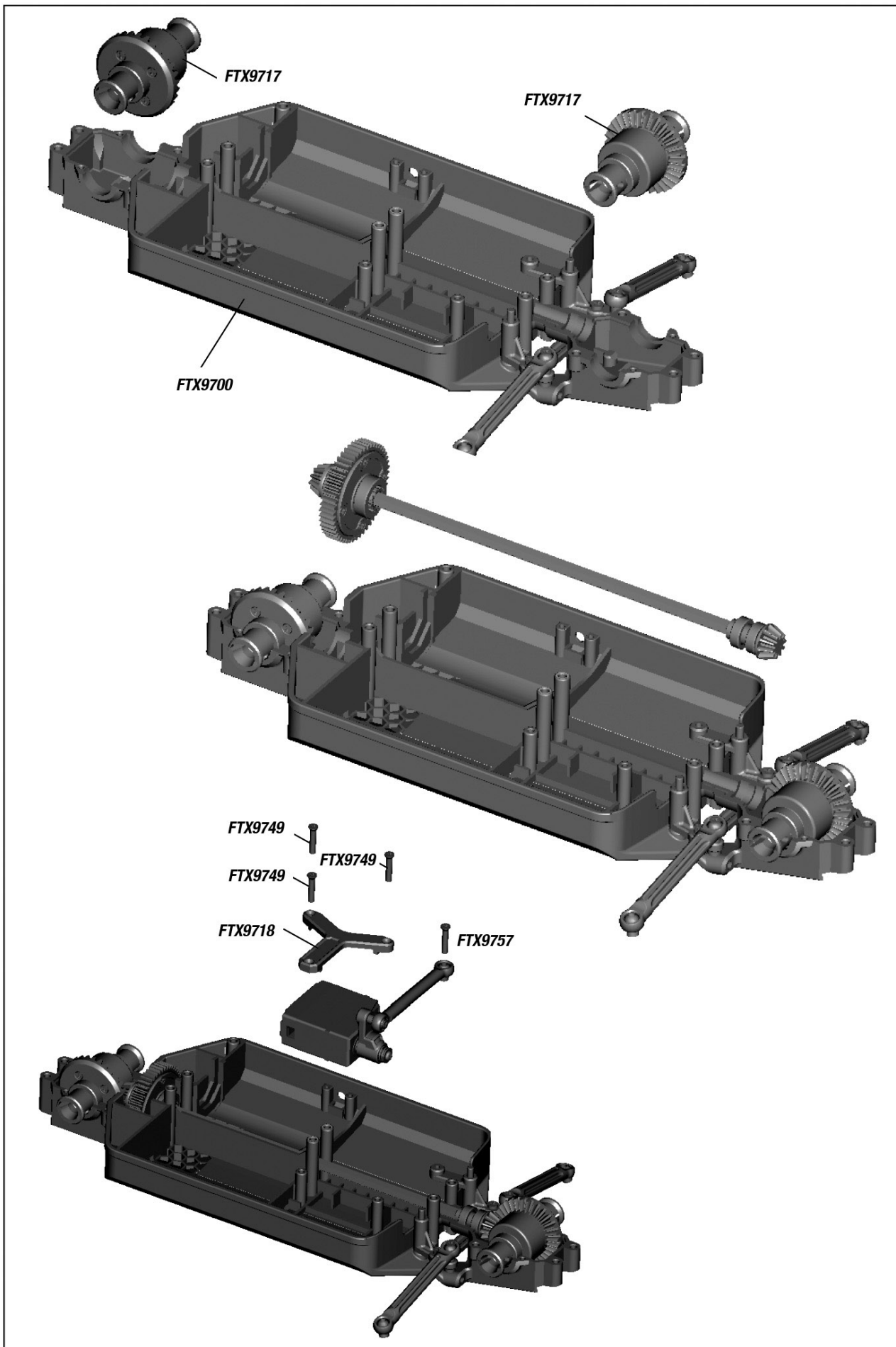


## REAR BUMPER ASSEMBLY (TRUCK ONLY)



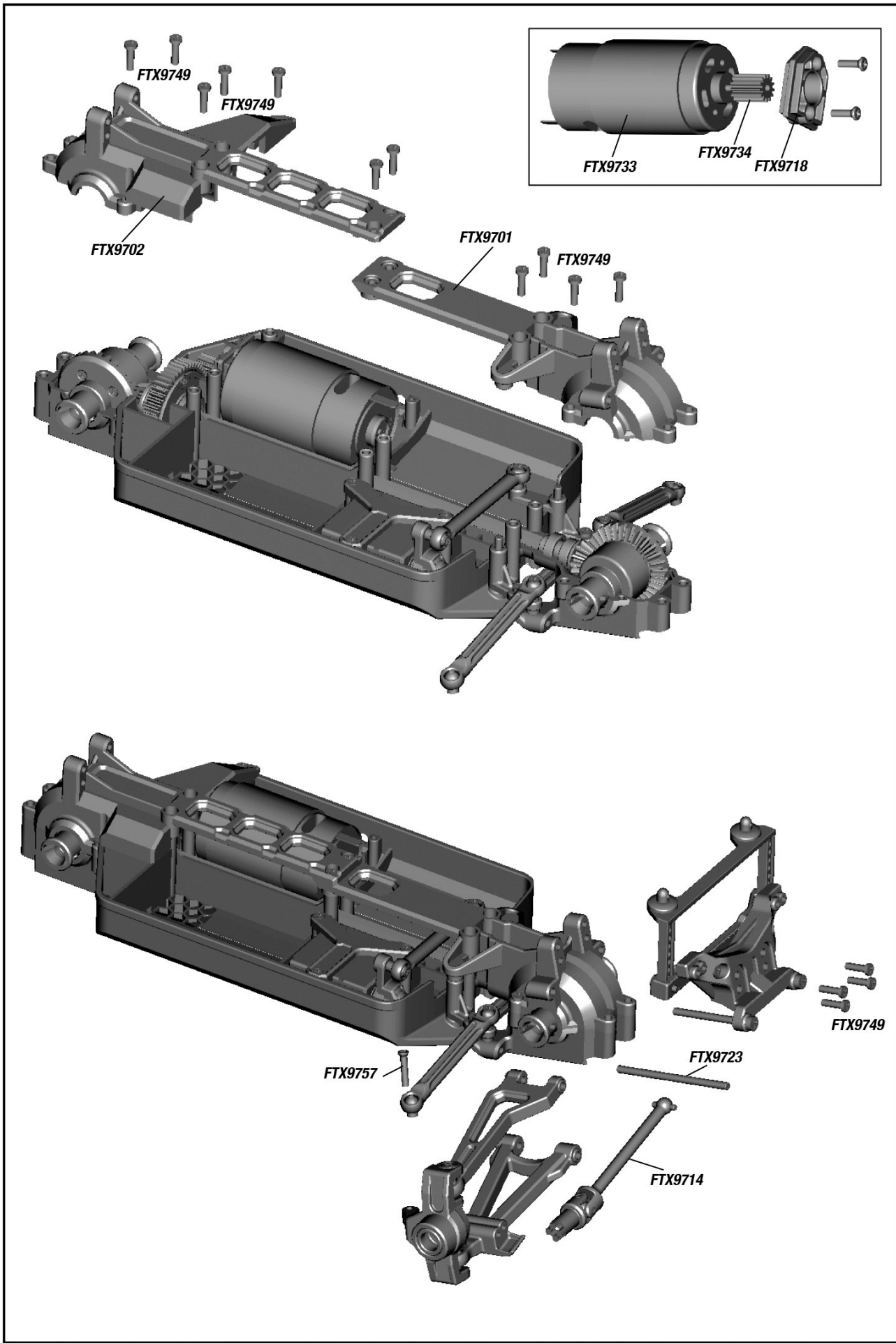


# FTX TRACER EXPLODED PARTS DIAGRAM



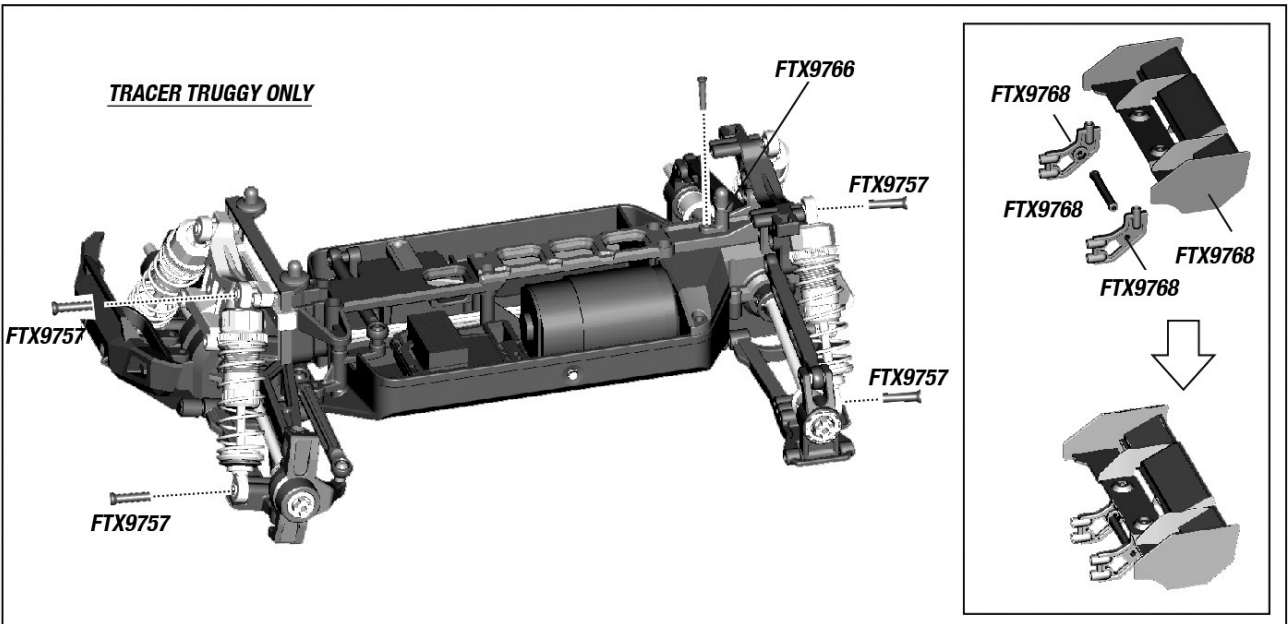
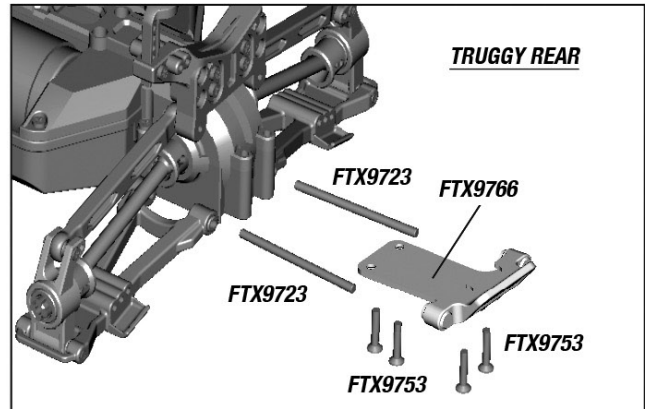
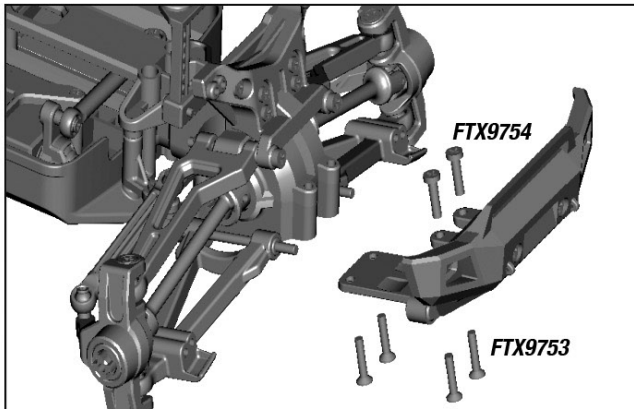
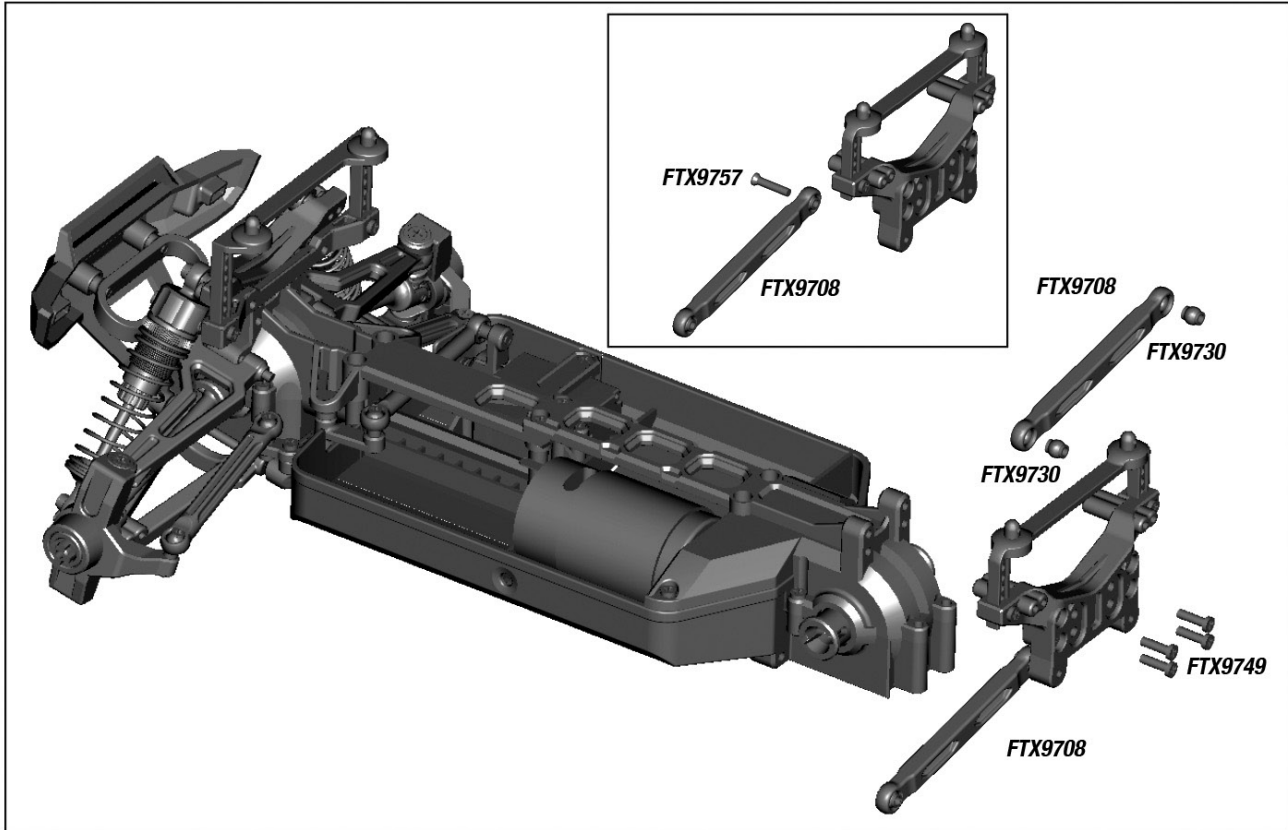


# FTX TRACER EXPLODED PARTS DIAGRAM



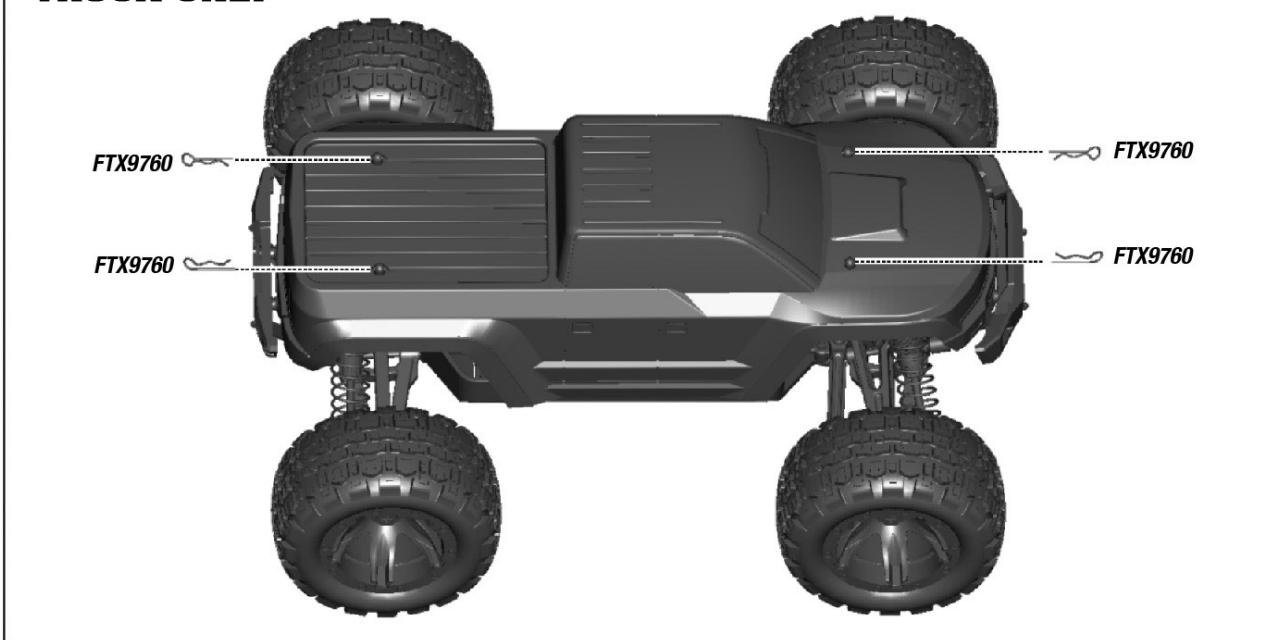
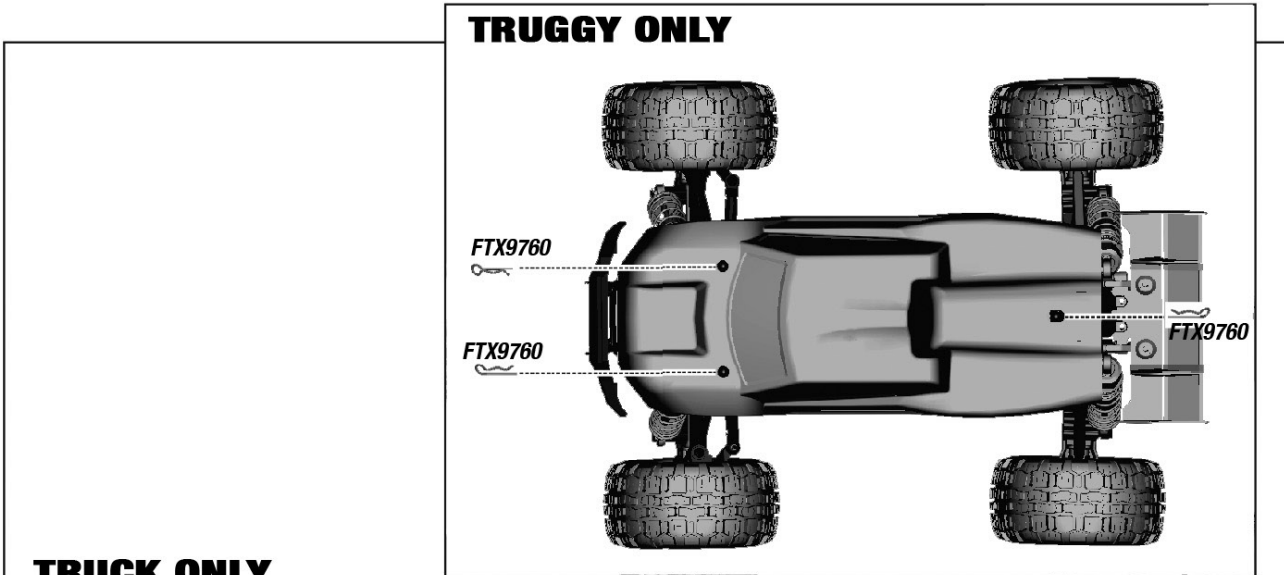
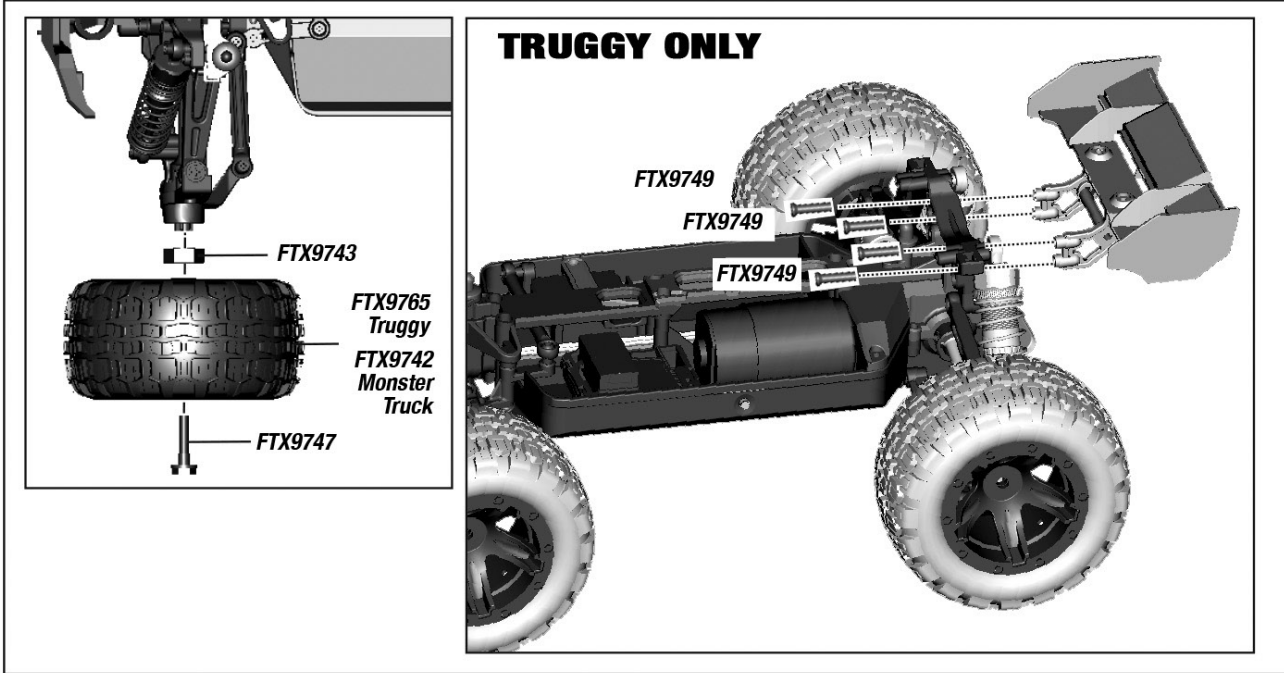


# FTX TRACER EXPLODED PARTS DIAGRAM





# FTX TRACER EXPLODED PARTS DIAGRAM







# FTX TRACER PARTS LISTING

<b>FTX9700</b>  Chassis	<b>FTX9701</b>  Front Gear Box Top Housing	<b>FTX9702</b>  Rear Gear Box Top Housing	<b>FTX9703</b>  Front Bumper Assembly
<b>FTX9705</b>  Front Lower Suspension Arms(Left/Right)	<b>FTX9706</b>  Front Upper Suspension Arms(Left/Right)	<b>FTX9707</b>  Rear Lower Suspension Arms(Left/Right)	<b>FTX9708</b>  Rear Upper Links+ Steering links+ Servo Link
<b>FTX9709</b>  Shock Towers(Front and Rear)	<b>FTX9710</b>  Body Posts (Front/Rear)	<b>FTX9766</b>  Rear Bumper + Truggy Rear Body Post	<b>FTX9767</b>  Shock Absorbers(2P) -Truggy Only
<b>FTX9712</b>  Steering Hubs	<b>FTX9713</b>  Rear Hubs	<b>FTX9714</b>  Front/Rear Drive Shafts	<b>FTX9715</b>  Diff. Outdrive Cups
<b>FTX9716</b>  Steering Bushes+ Ackerman Plate	<b>FTX9717</b>  Diff. Complete (Front/rear)	<b>FTX9718</b>  Servo Top Plate+ Motor Guard	<b>FTX9719</b>  Spur Gear+ Drive Pinions























# FTX TRACER PARTS LISTING

<p><b>FTX9720</b></p>  <p>Servo Saver Assembly</p>	<p><b>FTX9721</b></p>  <p>Centre Drive Shaft</p>	<p><b>FTX9722</b></p>  <p>Front Upper Suspension Hinge Bolts</p>	<p><b>FTX9723</b></p>  <p>Front/Rear Lower Suspension Hinge Pins</p>
<p><b>FTX9724</b></p>  <p>Rear Hub Pins (4P)</p>	<p><b>FTX9725</b></p>  <p>Drive Shaft Pivot Pins (8P)</p>	<p><b>FTX9726</b></p>  <p>Diff. Assembly</p>	<p><b>FTX9727</b></p>  <p>Steering Posts (4P)</p>
<p><b>FTX9728</b></p>  <p>Diff. Posts+Pins</p>	<p><b>FTX9729</b></p>  <p>Steering Pivot Balls (8P)</p>	<p><b>FTX9730</b></p>  <p>Plastic Pivot Balls Complete</p>	<p><b>FTX9731</b></p>  <p>Electronic Speed Control/Receiver</p>
<p><b>FTX9732</b></p>  <p>Servo (5-wire)</p>	<p><b>FTX9733</b></p>  <p>Motor 390</p>	<p><b>FTX9734</b></p>  <p>Motor Pinion (14T)</p>	<p><b>FTX9735</b></p>  <p>Motor Heatsink</p>
<p><b>FTX9736</b></p>  <p>Battery Pack(Li-ion 7.4V,800mAH), Deans T-Plug</p>	<p><b>FTX9765</b></p>  <p>Truggy Wheels &amp; Tyres (pr)</p>	<p><b>FTX9769</b></p> <p>With Body Decals, Not Installed To Body</p>  <p>3-hole body mounting Truggy body (Orange)</p>	<p><b>FTX9770</b></p> <p>With Body Decals, Not Installed To Body</p>  <p>3-hole body mounting Truggy body (Green)</p>



# FTX TRACER PARTS LISTING

<b>FTX9741</b>	<b>FTX9768</b>	<b>FTX9743</b>	<b>FTX9744</b>
 <p>Battery Binding Strap</p>	 <p>Wing Stay+Post+Wing</p>	 <p>Wheel Hex.</p>	 <p>Zip Ties (8P)</p>
<b>FTX9737</b>	<b>FTX9745</b>	<b>FTX9746</b>	<b>FTX9747</b>
 <p>USB charger</p>	<p><b>8P</b></p>  <p>Ball Bearings (φ7.93*12.7*3.95mm)</p>	<p><b>8P</b></p>  <p>Ball Bearings (φ6.35*9.53*3.17mm)</p>	<p><b>8P</b></p>  <p>Wheel Lock Bolts</p>
<b>FTX9748</b>	<b>FTX9749</b>	<b>FTX9750</b>	<b>FTX9751</b>
<p><b>12P</b></p>  <p>Pan head Self Tapping Screws PBHO2*8mm</p>	<p><b>12P</b></p>  <p>Pan head Self Tapping Screws PBHO2.6*10mm</p>	<p><b>12P</b></p>  <p>Countersunk Screws KM2.5*8</p>	<p><b>12P</b></p>  <p>Countersunk Self Tapping KBHO2.6*12mm</p>
<b>FTX9752</b>	<b>FTX9753</b>	<b>FTX9754</b>	<b>FTX9755</b>
<p><b>12P</b></p>  <p>Set Screw 2.5x2.5mm</p>	<p><b>12P</b></p>  <p>Countersunk Self Tapping Screws KBHO2.3*6mm</p>	<p><b>12P</b></p>  <p>Pan head Self Tapping Screws PBHO2.6*12mm</p>	<p><b>12P</b></p>  <p>Pan head Self Tapping Screws PBHO2*12mm</p>
<b>FTX9756</b>	<b>FTX9757</b>	<b>FTX9758</b>	<b>FTX9759</b>
<p><b>12P</b></p>  <p>Pan head Self Tapping Screws PBHO2.3*4mm</p>	<p><b>12P</b></p>  <p>Countersunk Self Tapping Screws KBHO2.3*12mm</p>	<p><b>12P</b></p>  <p>Flange Head Self Tapping Screws Pwtho2.6*12mm</p>	<p><b>8P</b></p>  <p>Steering Hub Step Screws</p>










# FTX TRACER PARTS LISTING & OPTION PARTS

<p><b>FTX9760</b></p>  <p>Body Clips (4 pcs)</p>	<p><b>FTX9761</b></p>  <p>Headlight LED</p>	<p><b>FTX9704</b></p>  <p>Monster Truck Rear Bumper</p>	<p><b>FTX9739</b></p>  <p>Truck Body (orange) w/decals</p>
<p><b>FTX9740</b></p>  <p>Truck Body (blue) w/decals</p>	<p><b>FTX9742</b></p>  <p>Monster Truck Wheels &amp; Tyres (pr)</p>	<p><b>FTX9738</b></p>  <p>Transmitter for Brushed</p>	
<p><b>FTX9775</b> <i>(Option Part)</i></p>  <p>Aluminum Capped Oil Filled Shocks 2Pcs</p>	<p><b>FTX9776</b> <i>(Option Part)</i></p>  <p>Heavy Duty Center Drive Shaft + Outdrive Cups + Pins + Screws (suited for metal spur gear version)</p>	<p><b>FTX9777</b> <i>(Option Part)</i></p>  <p>Machined Metal Spur Gear</p>	<p><b>FTX9778</b> <i>(Option Part)</i></p>  <p>Machined Metal Diff. Gears + Diff. Pinions</p>
<p><b>FTX9783</b> <i>(Option Part)</i></p>  <p>Machined Metal Diff. Outdrive Cups + Pins</p>	<p><b>FTX9780</b> <i>(Option Part)</i></p>  <p>Metal Front CVD Shafts + Pins + Lock Nut M4</p>	<p><b>FTX9781</b> <i>(Option Part)</i></p>  <p>Metal Rear Dogbones</p>	<p><b>FTX9782</b> <i>(Option Part)</i></p>  <p>Metal Rear Wheel Shafts + Pins + Lock Nut M4</p>
<p><b>FTX9789</b> <i>(Option Part)</i></p>  <p>Hi-CAPACITY LI-ION 7.4V 1300MAH BATTERY PACK w/Deans Plug for Brushless</p>	<p><b>FTX9790</b> <i>(Option Part)</i></p>  <p>2.4ghz Transmitter for Brushless</p>	<p><b>FTX9792</b> <i>(Option Part)</i></p>  <p>TRUCK BODY &amp; DECAL - YELLOW OPTION</p>	



# FTX TRACER OPTION PARTS

<b>FTX9783</b>	<b>FTX9784</b>	<b>FTX9785</b>	<b>FTX9786</b>
<p><b>(Option Part)</b></p>  <p>Wheelie Bar Assembly</p>	<p><b>(Option Part)</b></p>  <p>Servo (3-wire plug, for brushless Version)</p>	<p><b>(Option Part)</b></p>  <p>Brushless ESC/Receiver</p>	<p><b>(Option Part)</b></p>  <p>Brushless Motor</p>
<b>FTX9791</b>	<b>FTX9787</b>	<b>FTX9793</b>	
<p><b>(Option Part)</b></p>  <p>Li-PO Soft Pack 7.4V, 1000mAh, 25C (Dean-Plug)</p>	<p><b>(Option Part)</b></p>  <p>Motor Pinion (13T) +Set Screw</p>	<p><b>(Option Part)</b></p>  <p>TRUCK BODY &amp; DECAL - BLUE OPTION</p>	







**FTX is an exclusive brand of CML Distribution, Saxon House, Saxon Business Park,  
Hanbury Road, Bromsgrove, Worcestershire, B60 4AD England.  
E-mail: [info@ftx-rc.com](mailto:info@ftx-rc.com)**

